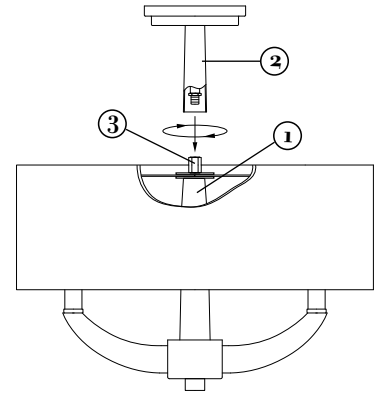


FREDRICK RAMOND

FR42341PCM

Replacement Parts: SHADE: R47341SH

[DRAWING 1]



ASSEMBLY INSTRUCTIONS

Assembly of this fixture will be accomplished assembling main body, attaching the mounting strap to the junction box, then making all necessary electrical connections, and then hanging the fixture from the ceiling.

SAFETY WARNING: Read wiring and grounding instructions [FRIS 18] and any additional directions. Turn power supply off during installation. If new wiring is required, consult a qualified electrician or local authorities for code requirements.

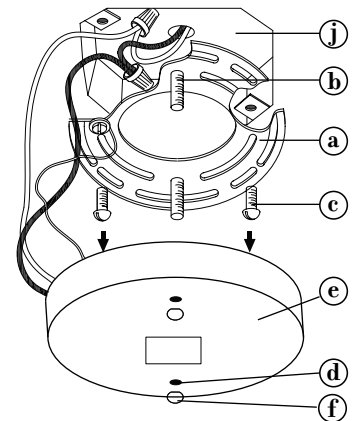
STEP 1

- 1 To assembly main body of fixture, slip wires from center column (1) of main body assembly through center tube of upper column (2) - see Drawing 1.
- 2 Thread upper column (2) onto coupler (3) located at the top of the center column (1).
- 3 Fixture is ready for installation, please follow instructions below.

STEP 2

- 1 Prepare mounting strap (a) by threading the two longest screws (b) into the back of the mounting strap (a), making sure the holes into which the screws are threaded match the spacing of holes (d) in the backplate (e) - See Drawing 2.
- 2 Attach mounting strap (a) to junction box (j) using two screws (c).
- 3 Make electrical connections from supply wire to fixture lead wires. Refer to instruction sheet [FRIS18] and follow all instructions to make all necessary wiring connections. Then refer back to this sheet to continue installation of this fixture.
- 4 To mount fixture, slip the two mounting screws (b) through the two mounting holes (d) in the backplate (e).
- 5 While holding fixture in place, thread the two ball knobs (f) on to the end of the mounting screws (b), and tighten.

[DRAWING 2]



FREDRICK RAMOND
ESTABLISHED 1965

800.421.3517 WWW.FREDRICKRAMOND.COM

01.01.12