

KARMA

FR41941/42

Bulbs: 60W CAND.

ASSEMBLY INSTRUCTIONS

Assembly of this fixture will be accomplished by first, attaching the mounting strap to the junction box, making all necessary electrical connections, and hanging the fixture from the wall.

SAFETY WARNING: Read wiring and grounding instructions [FRIS 18] and any additional directions. Turn power supply off during installation. If new wiring is required, consult a qualified electrician or local authorities for code requirements.

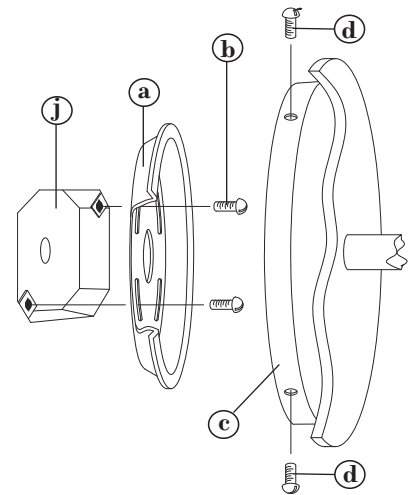
STEP 1

- 1 Attach mounting plate (a) to junction box (j) rim side away from the wall, with screws (b) provided - See Drawing 1.
- 2 Make all wiring connections following instruction sheet (FRIS 18) provided. Please follow all necessary precautions.
- 3 After all connections are made, slip canopy (c) over mounting plate (a) and hold in position while tightening screws (d). **NOTE:** As screws (d) are tightened canopy will move backward and tighten up against the wall.
- 4 Installation is complete and fixture can now be lamped.
- 5 If mounting to the wall follow same procedures as outlined above.

STEP 2

- 1 Fixture can be lamped accordingly at this time.

[DRAWING 1]



FREDRICK RAMOND
ESTABLISHED 1965

A Division of Hinkley Lighting, Inc.
33000 PIN OAK PARKWAY | AVON LAKE, OHIO 44012
toll free 800.446.5539 | phone 440.653.5500