



Luxe

FR31557 BNI/PCM/VBZ

Bulbs: 100W MED. Replacement Parts: GLASS: R31557OPAL

ASSEMBLY INSTRUCTIONS

Assembly of this fixture will be accomplished by first assembling the main body, determining the rod lengths required, attaching the mounting hardware to the junction box, making all necessary electrical connections, hanging the fixture, and then installing the glass.

SAFETY WARNING: Read wiring and grounding instructions [FRIS 18] and any additional directions. Turn power supply off during installation. If new wiring is required, consult a qualified electrician or local authorities for code requirements.

STEP 1

- 1 The main body is assembled using the 4 uprights and spacers. the uprights and spacers must be disassembled before starting the assembly process. First remove the large barrel knob (2) form the top of the upright (1) - See Drawing 2.
- 2 Unthread top spacer (3) from upright (1).
- 3 Slip off spacers (4) and (5) from upright (1).
- 4 Slip one upright (1) through each of the four small holes (a) in one of the clear crystal pieces (6).
- 5 Slip one spacer (5) over each upright (1) slip another crystal piece (6) onto uprights (1).
- 6 Slip one spacer (4) over each upright (1) slip the final crystal piece (6) onto uprights (1).
- 7 Thread a top spacer (4) onto each of the uprights and tighten. HAND TIGHTEN ONLY. DO NOT use pliers to tighten final spacer (3). Over tightening could cause the crystal to chip.
- 8 Slip top cover (7) onto the uprights and thread barrel knob (2) onto end of uprights to complete main body assembly.

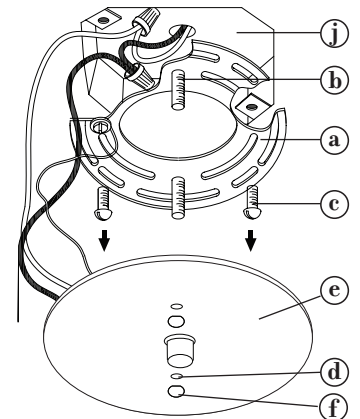
STEP 2

- 1 Prepare mounting strap (a) by threading the two longest screws (b) into the back of the mounting strap (a), making sure the holes into which the screws are threaded match the spacing of holes (d) in the backplate (e) - See Drawing 2.
- 2 Attach mounting strap (a) to junction box (j) using two screws (c).
- 3 Make electrical connections from supply wire to fixture lead wires. Refer to instruction sheet [FRIS18] and follow all instructions to make all necessary wiring connections. Then refer back to this sheet to continue installation of this fixture.
- 4 To mount fixture, slip the two mounting screws (b) through the two mounting holes (d) in the canopy (e).
- 5 While holding fixture in place, thread the two ball knobs (f) on to the end of the mounting screws (b), and tighten.

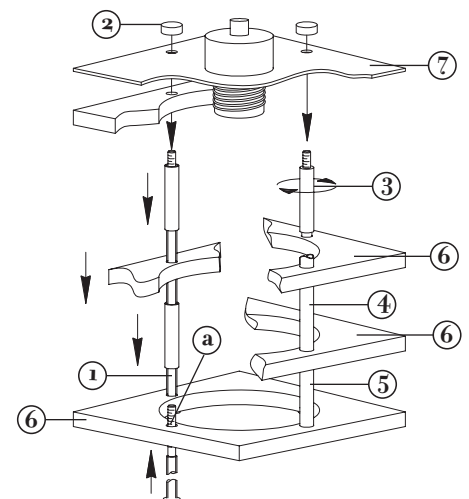
STEP 3

- 1 Remove ring (8) and spacer (9) from socket (10) - See Drawing 3.
- 2 Slip glass (11) over socket and hold in position.
- 3 Slip spacer (9) and thread ring (8) onto socket (10) and tighten.
- 4 Fixture can now be lamped accordingly.

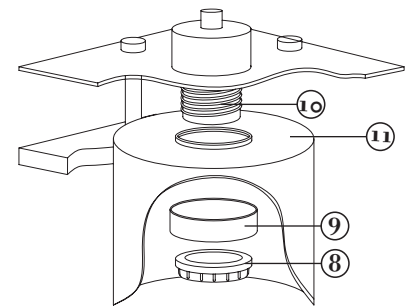
[DRAWING 1]



[DRAWING 2]



[DRAWING 3]



FREDRICK RAMOND

ESTABLISHED 1965

A Division of Hinkley Lighting, Inc.

33000 PIN OAK PARKWAY | AVON LAKE, OHIO 44012

toll free 800.446.5539 | phone 440.653.5500