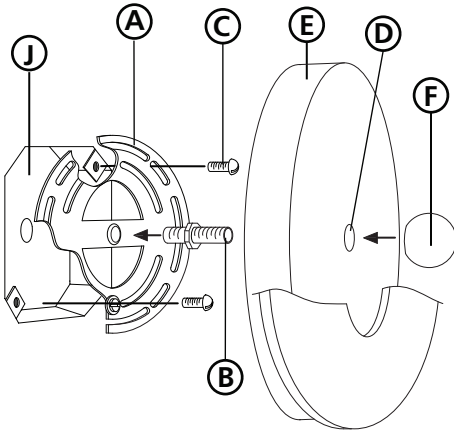


Item No. 56320



Drawing 1 - Fixture Mounting



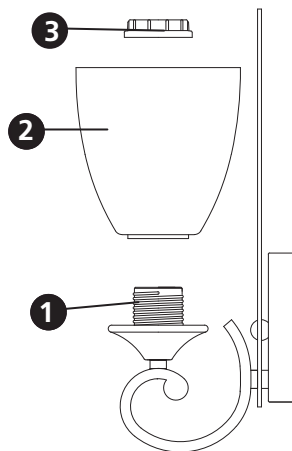
▼ start here

1

1. Find a clear area in which you can work.
2. Unpack fixture and glass from carton.
3. Carefully review instructions prior to assembly.

*** The construction of this fixture will be accomplished by first attaching the mounting strap to the junction box, making all necessary electrical connections, mounting the fixture to the wall and then installing the glass.

Drawing 2 - Glass Installation



2

1. Prepare mounting strap (A) by threading tube (B) into center hole of strap.
2. Install mounting strap (A) to junction box (J), slip supply wires through half moon shape hole in mounting strap and attach with two 8-32 screws.
3. Test fit backplate onto wall and adjust tube (B) so it protrudes out from the face of the backplate approximately 3/8".
4. Tighten hex nut (H) against mounting plate (A) to lock tube (B) in place.

SAFETY WARNING: READ WIRING AND GROUNDING INSTRUCTIONS (I.S. 18) AND ANY ADDITIONAL DIRECTIONS. TURN POWER SUPPLY OFF DURING INSTALLATION. IF NEW WIRING IS REQUIRED, CONSULT A QUALIFIED ELECTRICIAN OR LOCAL AUTHORITIES FOR CODE REQUIREMENTS.

3

1. Make electrical connections from supply wire to fixture lead wires. Refer to instruction sheet **(I.S. 18)** and follow all instructions to make all necessary wiring connections. Then refer back to this sheet to continue installation of this fixture.

4

NOTE: prior to mounting fixture it will be necessary to determine if scroll plate (S) needs to be reversed - see drawing 3. Proceed to step 6 before mounting if this is required.

1. To mount fixture to wall, slip backplate (E) center hole (D) over tube (B).
2. Thread decorative ball (F) onto end of tube (B) to secure fixture to wall.

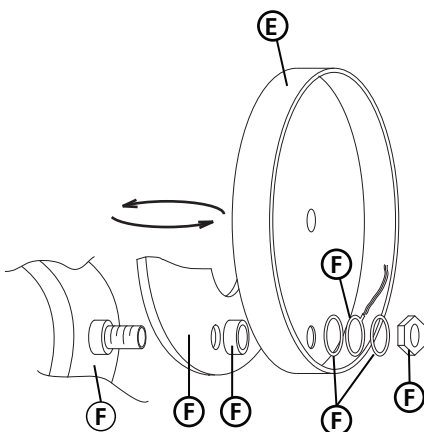
5

1. To install glass first unthread socket ring (3) from socket (1).
2. Slip glass (2) over socket (1).
3. Thread socket ring (3) back onto socket (1) and tighten to secure glass.

6

1. To reverse the scroll plate (S) on back of fixture, first remove hex nut (H)
2. Slip off lock washer (L), grounding lug (G), and second lockwasher (L) from threaded tube (T).
3. Remove back plate (E) followed by spacer (I), then scroll plate (S).
4. Flip scroll plate around and slip back onto threaded tube (T).
5. Replace spacer (I), back plate (E), followed by lockwasher (L), grounding lug (G) and remaining lockwasher (L).
6. Thread hex nut (H) back onto threaded tube (T), align parts and tighten to secure parts. Fixture can now be installed.

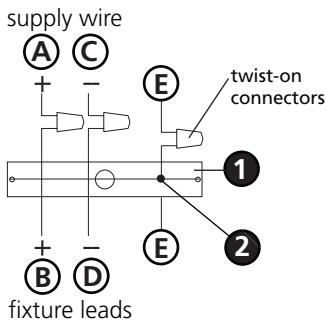
Drawing 3 - Scroll Reversal



Drawing 1 - Flush Mount



Drawing 2 - Chain Hung



Drawing 3 - Post-Mount



SAFETY WARNING: READ WIRING AND GROUNDING INSTRUCTIONS (I.S. 18) AND ANY ADDITIONAL DIRECTIONS. TURN POWER SUPPLY OFF DURING INSTALLATION. IF NEW WIRING IS REQUIRED, CONSULT A QUALIFIED ELECTRICIAN OR LOCAL AUTHORITIES FOR CODE REQUIREMENTS.

wiring instructions

Indoor Fixtures

1. Connect positive supply wire **(A)** (typically black or the smooth, unmarked side of the two-conductor cord) to positive fixture lead **(B)** with appropriately sized twist on connector - see **Drawings 1 or 2**.
2. Connect negative supply wire **(C)** (typically white or the ribbed, marked side of the two-conductor cord) to negative fixture lead **(D)**.
3. Please refer to the **grounding instructions** below to complete all electrical connections.

Outdoor Fixtures

1. Connect positive supply wire **(A)** (typically black or the smooth unmarked side of the two-conductor cord) to positive fixture lead **(B)** with appropriately sized twist on connector - see **Drawings 2 or 3**.
2. Connect negative supply wire **(C)** (typically white or the ribbed, marked side of the two-conductor cord) to negative fixture lead **(D)**.
3. Cover open end of connectors with silicone sealant to form a watertight seal.
 - If installing a wall mount fixture, use caulk to seal gaps between the fixture mounting plate (backplate) and the wall. This will help prevent water from entering the outlet box. If the wall surface is lap siding, use caulk and a fixture mounting platform specially.
4. Please refer to the **grounding instructions** below to complete all electrical connections.

grounding instructions

Flush Mount Fixtures

For positive grounding in a 3-wire electrical system, fasten the fixture ground wire **(E)** (typically copper or green plastic coated) to the fixture mounting strap **(1)** with the ground screw **(2)** - see **Drawing 1**.

Note: On straps for screw supported fixtures, first install the two mounting screws in strap. Any remaining tapped hole may be used for the ground screw.

Chain Hung Fixtures

Loop fixture ground wire **(E)** (typically copper or green plastic coated) under the head of the ground screw **(2)** on fixture mounting strap **(1)** and connect to the loose end of the fixture ground wire directly to the ground wire of the building system with appropriately sized twist-on connectors - see **Drawing 2**.

Post-Mount Fixtures

Connect fixture ground wire **(E)** (typically copper or green plastic coated) to power supply ground with appropriately sized twist-on connector inside post. Cover open end of connector with silicone sealant to form a watertight seal - see **Drawing 3**.