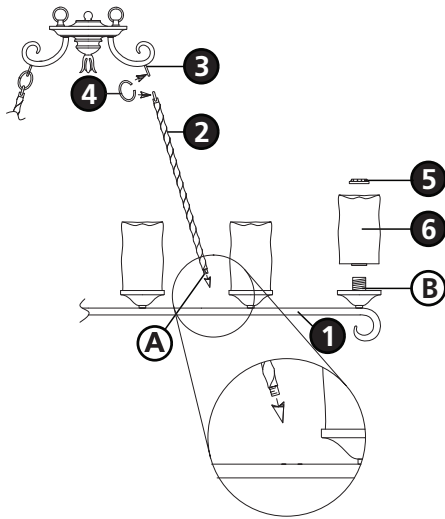


Drawing 1 - Assembly



▼ start here

1

1. Find a clear area in which you can work.
2. Unpack fixture and glass from carton.
3. Carefully review instructions prior to assembly.

***** The construction of this fixture will be accomplished by first assembling the main body, installing the mounting hardware, making all necessary electrical connections, hanging the fixture from the ceiling and then installing the glass.**

SAFETY WARNING: READ WIRING AND GROUNDING INSTRUCTIONS (I.S. 18) AND ANY ADDITIONAL DIRECTIONS. TURN POWER SUPPLY OFF DURING INSTALLATION. IF NEW WIRING IS REQUIRED, CONSULT A QUALIFIED ELECTRICIAN OR LOCAL AUTHORITIES FOR CODE REQUIREMENTS.

2

1. Take the upright (2) and thread it into loop (A) found on the main crossbar (1). Note: the upright with the supply wire running through it will have to be slipped down the wire - see **Drawing 1**.
2. Attach secondary canopy (3) to the uprights using a chain link (4) provided.

Make electrical connections from supply wire to fixture lead wires. Refer to instruction sheet (I.S. 18) and follow all instructions to make all necessary wiring connections. Then refer to the hanging instruction sheet (I.S.19-75) provided to complete installation

3

1. Remove socket ring (5) from socket (B) - see **Drawing 1**.
2. Slip glass (6) over socket (B).
3. Thread socket ring (5) onto socket (B) and tighten to secure glass.
4. Fixture can now be lamped accordingly.

Note: Maximum wattage for 4304 fixture is 100 watts per bulb.

1.20.09