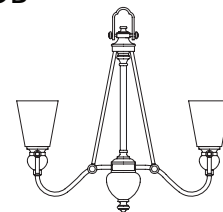
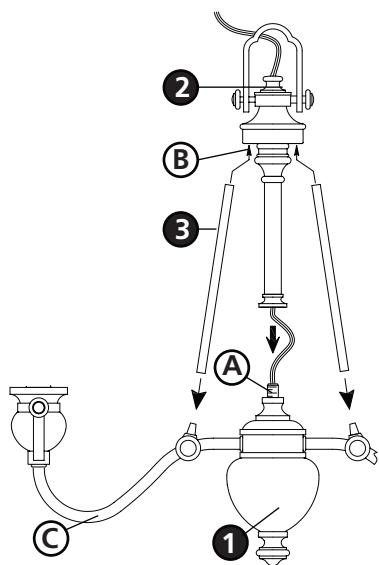


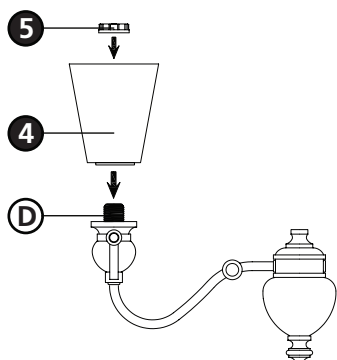
Family: Mayflower | Item No. 4166 OB



Drawing 1 - Fixture Assembly



Drawing 2 - Glass Installation



▼ start here

1

1. Find a clear area in which you can work.
2. Unpack fixture and glass from carton.
3. Carefully review instructions prior to assembly.

***** The construction of this fixture will be accomplished by first assembling the main body of the fixture, making all necessary electrical connections, hanging the fixture from the ceiling, and then installing the glass.**

2

SAFETY WARNING: READ WIRING AND GROUNDING INSTRUCTIONS (I.S. 18) AND ANY ADDITIONAL DIRECTIONS. TURN POWER SUPPLY OFF DURING INSTALLATION. IF NEW WIRING IS REQUIRED, CONSULT A QUALIFIED ELECTRICIAN OR LOCAL AUTHORITIES FOR CODE REQUIREMENTS.

3

1. To assemble main body, slip center column section (2) along wire and thread it into nipple (A) and tighten. Making sure holes (B) line up over the arm peg (C) - see **Drawing 1**.
2. Attach the three uprights (3) to the fixture by sliding one end of the upright (3) into the hole in the bottom of body (B) of center column (2).
3. Place bottom end of upright (3) over peg (C).
4. Please refer to the hanging instruction sheet (I.S. 19) provided to continue installation of this fixture. Then refer back to this sheet to install glass.

4

1. To install glass, remove socket ring (5) from socket (D) - see **Drawing 2**.
2. Slip glass (4) over socket (D).
3. Thread socket ring (5) onto socket (D) and tighten until snug.
Note: Over tightening ring with a tool may cause damage to the glass.
4. Fixture can now be lamped accordingly.

Note: Maximum wattage for 4166 fixture is 100 watts per bulb.

2.7.08