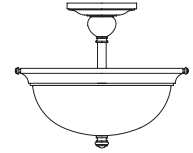
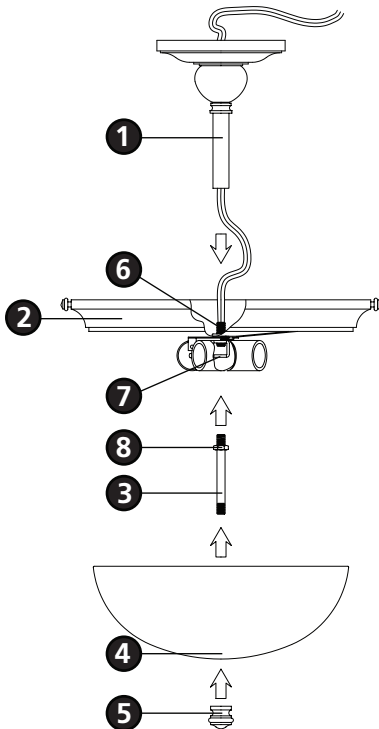


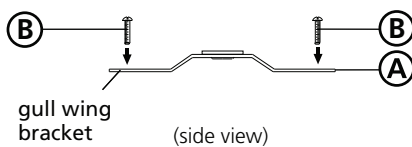
Family: Mayflower | Item No. 4161 OB



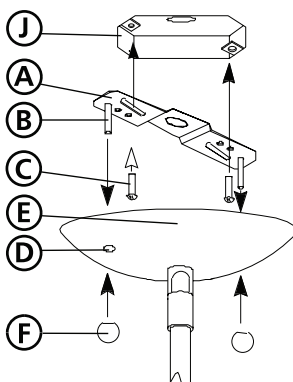
Drawing 1 - Fixture Assembly



Drawing 2 - Strap Detail



Drawing 3 - Fixture Mounting



▼ start here

1

1. Find a clear area in which you can work.
2. Unpack fixture and glass from carton.
3. Carefully review instructions prior to assembly.

***** The construction of this fixture will be accomplished by first assembling the main body of the fixture, making all necessary electrical connections, hanging the fixture from the ceiling, and then installing the glass.**

2

1. To assemble fixture, slip column (1) along wire and thread into nipple (6) and tighten.
2. Take nipple (3) and thread it into coupler (7) approximately 1/4".
3. Thread hex nut (8) up to base of coupler (7) and tighten to lock nipple (3) in place.

3

1. Prepare gem strap (A) for mounting by threading two screws (B) provided into back of gull wing bracket of gem strap (A) - see **Drawing 2**.
 - Be sure the holes into which the screws are threaded match the spacing of holes (D) in the canopy (E) - see **Drawings 2 and 3**.
2. Mount gem strap (A) to junction box (J), using the two 8-32" screws (C) provided.

SAFETY WARNING: READ WIRING AND GROUNDING INSTRUCTIONS (I.S. 18) AND ANY ADDITIONAL DIRECTIONS. TURN POWER SUPPLY OFF DURING INSTALLATION. IF NEW WIRING IS REQUIRED, CONSULT A QUALIFIED ELECTRICIAN OR LOCAL AUTHORITIES FOR CODE REQUIREMENTS.

4

- Make electrical connections from supply wire to fixture lead wires. Refer to instruction sheet (I.S. 18) and follow all instructions to make all necessary wiring connections. Then refer back to this sheet to continue installation of this fixture.

5

1. Mount the fixture by slipping the holes (D) in the canopy, over the screws (B) in the mounting strap - see **Drawing 3**.
2. Thread on ball knobs (F) onto the end of the mounting screws (B) to secure fixture to the wall.

6

1. Prior to installing glass, fixture can be lamped accordingly.
2. Slip glass (4) onto nipple (3) - see **Drawing 1**.
3. While holding glass (4) in place, thread bottom finial (5) onto end of nipple (3) and hand tighten only.
Note: Using a tool of any kind to tighten knob may cause damage to glass.

Note: Maximum wattage for 4161 fixture is 75 watts per bulb.

2.7.08