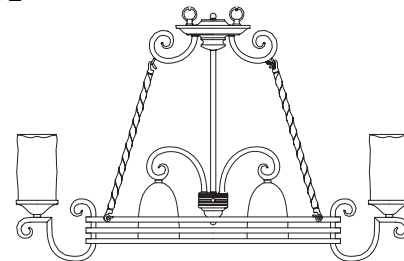


Family: Gasa Item No. 4016 OL



Drawing 1 - Body Assembly

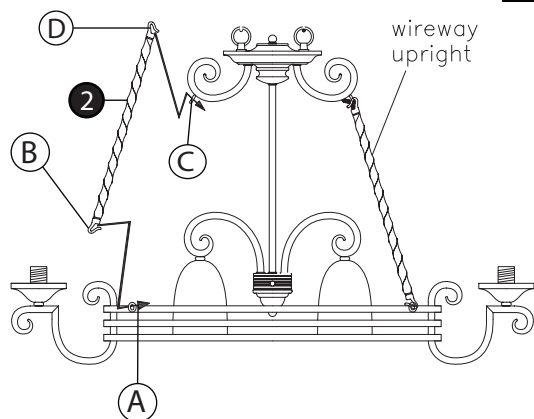
▼ start here

1

1. Find a clear area in which you can work.
2. Unpack fixture and glass from carton.
3. Carefully review instructions prior to assembly.

*** The construction of this fixture will be accomplished by first assembling the main body of the fixture, installing the mounting hardware, making all necessary electrical connections, hanging the fixture from the ceiling, and then installing the glass.

SAFETY WARNING: READ WIRING AND GROUNDING INSTRUCTIONS (I.S. 18) AND ANY ADDITIONAL DIRECTIONS. TURN POWER SUPPLY OFF DURING INSTALLATION. IF NEW WIRING IS REQUIRED, CONSULT A QUALIFIED ELECTRICIAN OR LOCAL AUTHORITIES FOR CODE REQUIREMENTS.



2

CAUTION: The supply wire of this fixture has been laced through one of the uprights (part 2 on drawing 1) for your convenience. Please use caution when assembling the fixture to prevent wire damage. It is advisable to layout the fixture on a floor and assemble the main body prior to installation.

1. To assemble main body, take upright (2), with the supply wire running through it, and hook the lower upright scroll (B) under the ring scroll (A). Making sure not to pinch the wire.
2. Repeat step 1 for the remaining 3 uprights.
3. Take the top of upright (2) and hook loop (D) over hook (C).
4. Please refer to the hanging instruction sheet (I.S. 19-75) provided to hang fixture. Then refer back to this sheet to install glass.

3

1. To install glass, remove socket ring (4) from socket (E).
2. Slip glass (5) over socket (E). See Drawing 2
3. Thread socket ring (4) onto socket (E) to retain glass (5).
4. Repeat steps 1-3 for remaining glass.
5. Fixture can now be lamped accordingly.

Note: Maximum wattage for 4055 fixture is 60 watts per bulb.

2.7.08

Drawing 2 - Glass Installation

