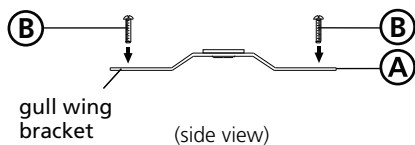


▼ start here

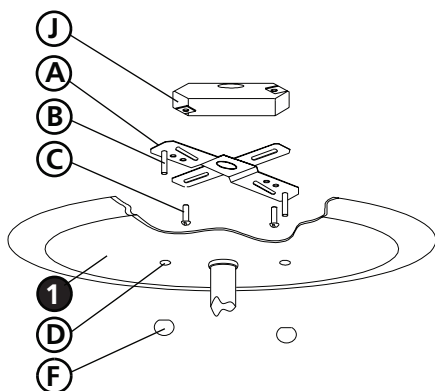
Drawing 1 - Strap Detail



1

1. Find a clear area in which you can work.
2. Unpack fixture and glass from carton.
3. Carefully review instructions prior to assembly.

Drawing 2 - Fixture Mounting

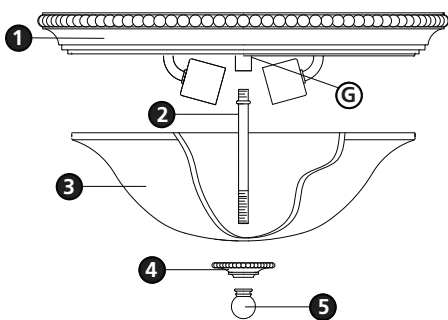


2

***** The construction of this fixture will be accomplished by first mounting the mounting strap to the junction box, making all necessary electrical connections, hanging the fixture from the ceiling, and then installing the glass.**

1. Prepare gem strap **(A)** for mounting by threading two screws **(B)** provided into back of gull wing bracket of gem strap **(A)** - see **Drawing 1**.
 - Be sure the holes into which the screws are threaded match the spacing of holes **(D)** in the ceiling pan **(1)** - see **Drawings 1 and 2**.
2. Mount gem strap **(A)** to junction box **(J)**, using the two 1" screws **(C)** **not** provided.

Drawing 3 - Glass Installation



3

SAFETY WARNING: READ WIRING AND GROUNDING INSTRUCTIONS (I.S. 18) AND ANY ADDITIONAL DIRECTIONS. TURN POWER SUPPLY OFF DURING INSTALLATION. IF NEW WIRING IS REQUIRED, CONSULT A QUALIFIED ELECTRICIAN OR LOCAL AUTHORITIES FOR CODE REQUIREMENTS.

4

1. Hang the fixture by slipping the holes **(D)** in the ceiling pan **(1)** over the screws **(B)** in the mounting strap **(A)** - see **Drawing 2**.
2. Thread on ball knobs **(F)** to secure fixture to the ceiling.

5

1. To install glass, thread center stem **(2)** into coupler **(G)**, located in the center of ceiling pan **(1)** - see **Drawing 3**.
2. Slip glass **(3)** onto center stem **(2)**.
3. While holding glass slip decorative plate **(4)** onto center stem **(2)** and hold in position.
4. Thread decorative knob **(5)** onto end of stem to secure glass.

Note: Maximum wattage for 3616 fixture is 60 watts per bulb.

10.1.08