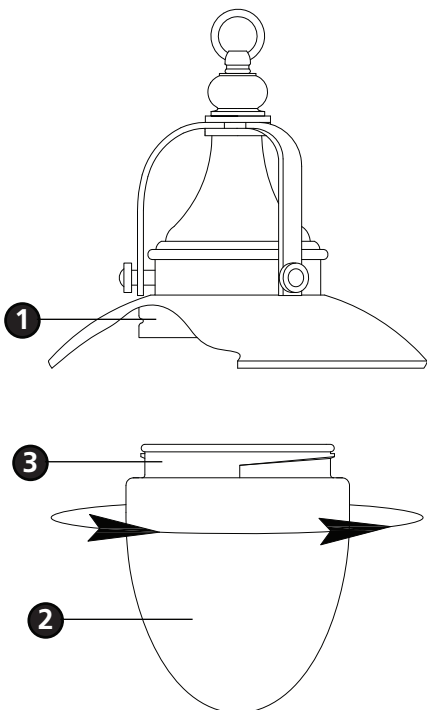


Drawing 1 - Fixture Assembly



▼ start here

1

1. Find a clear area in which you can work.
2. Unpack fixture and glass from carton.
3. Carefully review instructions prior to assembly.

***** The construction of this fixture will be accomplished by first making all necessary electrical connections, hanging the fixture from the ceiling, and then installing the glass.**

SAFETY WARNING: READ WIRING AND GROUNDING INSTRUCTIONS (I.S. 18) AND ANY ADDITIONAL DIRECTIONS. TURN POWER SUPPLY OFF DURING INSTALLATION. IF NEW WIRING IS REQUIRED, CONSULT A QUALIFIED ELECTRICIAN OR LOCAL AUTHORITIES FOR CODE REQUIREMENTS.

2

1. Please refer to the hanging instruction sheet (**I.S. 19**) provided to hang this fixture. Then refer back to this sheet to install the glass.

3

1. Fixture can now be lamped accordingly.
2. The glass in this fixture is installed by lining up the grooves (**3**) in the glass with the tabs located inside the roof (**1**) - see **Drawing 1**.
3. To install glass (**2**) align grooves and slip glass up into roof. Turn glass to lock it in place.

Note: Maximum wattage for 2082 fixture is 100 watts per bulb.

6.01.11