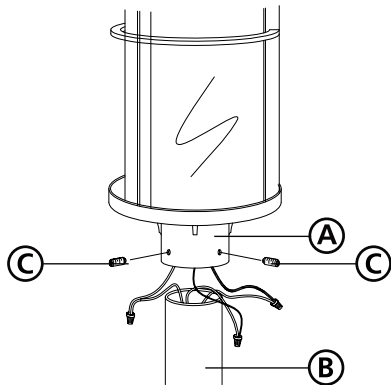
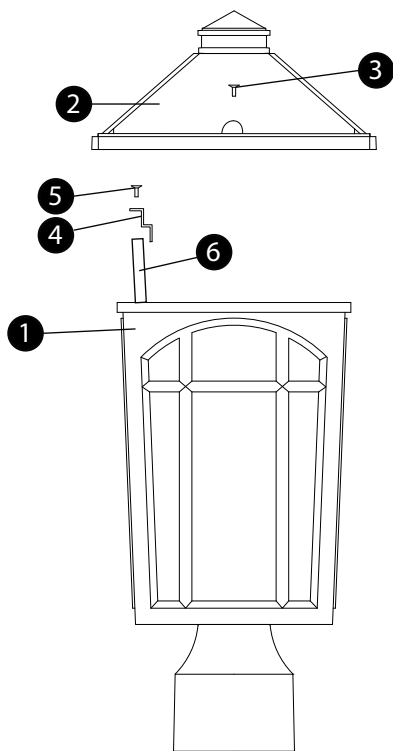


Item No. 1981

Drawing 1 - Fixture Mounting



Drawing 2 - Glass Replacement



▼ start here

1

1. Find a clear area in which you can work.
2. Unpack fixture and glass from carton.
3. Carefully review instructions prior to assembly.

***The construction of this fixture will be accomplished by first making all necessary electrical connections, mounting the fixture to pre-installed post and then lamping fixture.

2

1. Fixture is mounted using 3 screws.
2. Make all necessary electrical connections following wiring instructions below.

SAFETY WARNING: READ WIRING AND GROUNDING INSTRUCTIONS (I.S. 18) AND ANY ADDITIONAL DIRECTIONS. TURN POWER SUPPLY OFF DURING INSTALLATION. IF NEW WIRING IS REQUIRED, CONSULT A QUALIFIED ELECTRICIAN OR LOCAL AUTHORITIES FOR CODE REQUIREMENTS.

3

Make electrical connections from supply wire to fixture lead wires. Refer to instruction sheet (I.S. 18) and follow all instructions to make all necessary wiring connections. Then refer back to this sheet to continue installation of this fixture.

4

1. After wiring connections are complete, slip post fitter (A) over top of pre-installed post (B) making sure all wire connections are tucked inside the pole - see Drawing 1.
2. When fixture is slipped over pole make sure no wires are being pinched between the top edge of the pole and the inside of the post fitter.
3. Thread the 3 set screws (C) into pre-tapped holes in post fitter.
4. Tighten screw (C) to secure fixture to post.
5. To lamp fixture, unscrew phillip head screw (3) from top of roof (2) and remove roof (2) from main body (1) - see Drawing 2.
6. Fixture can now be lamped accordingly.
7. To reassemble, follow step 5 in reverse order.

Glass Replacement Instructions - see Drawing 2.

1. Remove roof (2) from cage (1) by unscrewing the 2 phillips head screws (3) on opposite sides of the fixture.
2. Remove the glass clips (4) by removing the screws (5) that hold them in place.
3. Pull out glass panel (6) assembly.
4. To insert replacement glass, follow steps 1-3 in reverse order.