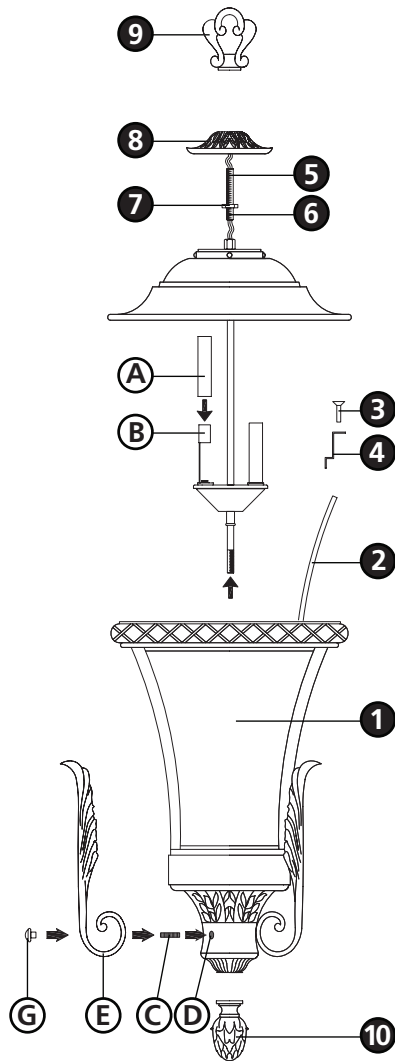


Family: Brynmar | Item No. 1932 RB



Drawing 1 - Fixture Assembly



▼ start here

1

1. Find a clear area in which you can work.
2. Unpack fixture and glass from carton.
3. Carefully review instructions prior to assembly.

*** The construction of this fixture will be accomplished by first installing the glass, making all necessary electrical connections, hanging the fixture from the ceiling, and then assembling the main body of the fixture.

SAFETY WARNING: READ WIRING AND GROUNDING INSTRUCTIONS (I.S. 18) AND ANY ADDITIONAL DIRECTIONS. TURN POWER SUPPLY OFF DURING INSTALLATION. IF NEW WIRING IS REQUIRED, CONSULT A QUALIFIED ELECTRICIAN OR LOCAL AUTHORITIES FOR CODE REQUIREMENTS.

2

1. Remove screws (3) from main cage assembly (1) which retain the glass clips (4) in place .
2. Slide glass panels (2) into cage, making sure bottom of glass (3) is in front of tab in bottom of cage.
3. Please refer to the hanging instruction sheet provided (I.S. 19) to continue installation of this fixture. Then refer back to this sheet to continue installation of this fixture.

3

1. Remove cage (1) from roof assembly (1) by unscrewing decorative knob (7).
2. Tread nipple (5) into coupler (6) approximately 3/8".
3. Thread hex nut (7) onto coupler (6) to lock nipple (5) in place.
4. Slip roof cap (8) along wire and place on roof.
5. Slide loop (9) along wire and thread onto exposed end of nipple (5).
6. Slip candle sleeves (A) over the sockets (B).
7. Fixture can now be lamped accordingly.
8. To attach decorative leaf (E), screw stud (C) into hole (D) located on cage neck.
9. Slip decorative leaf (E) over stud (C) and thread on decorative knob (D).
10. Attach decorative knob (10).

Note: Maximum wattage for 1932 fixture is 100 watts per bulb.

2.7.08