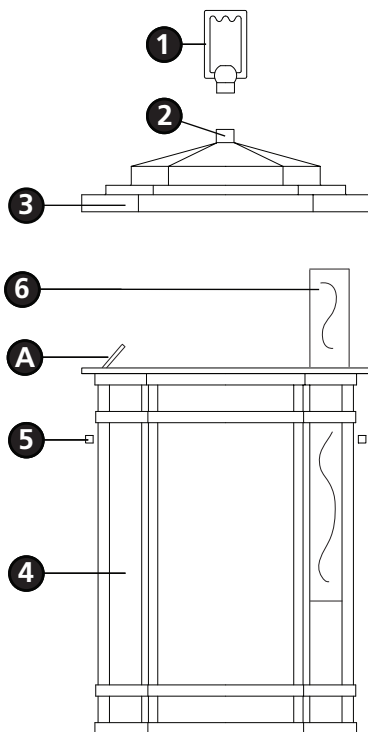


## Drawing 1 - Fixture Assembly



## ▼ start here

**1**

1. Find a clear area in which you can work.
2. Unpack fixture and glass from carton.
3. Carefully review instructions prior to assembly.

**\*\*\* The construction of this fixture will be accomplished by first assembling the main body of the fixture, making all necessary electrical connections, and then hanging the fixture from the ceiling.**

**2**

1. To assemble fixture, thread loop **(1)** into nipple **(2)**.

**SAFETY WARNING: READ WIRING AND GROUNDING INSTRUCTIONS (I.S. 18) AND ANY ADDITIONAL DIRECTIONS. TURN POWER SUPPLY OFF DURING INSTALLATION. IF NEW WIRING IS REQUIRED, CONSULT A QUALIFIED ELECTRICIAN OR LOCAL AUTHORITIES FOR CODE REQUIREMENTS.**

**3**

Make electrical connections from supply wire to fixture lead wires. Refer to instruction sheet **(I.S. 18)** and follow all instructions to make all necessary wiring connections. Then refer to the hanging instruction sheet **(I.S. 19)** provided to complete installation of this fixture.

**4**

1. To install glass, remove roof **(3)** from main body assembly **(4)**, by removing knob **(5)** from under roof lip.
2. To install glass, bend up glass clip **(A)** and slip glass **(6)** into main body assembly **(4)**.
3. Bend glass clip **(A)** back down to secure glass **(6)**.
4. After all glass panels are installed, replace roof **(3)** and thread on knobs.
5. Fixture can now be lamped accordingly.

Note: Maximum wattage for 1272 fixture is 100 watts per bulb.

2.7.08