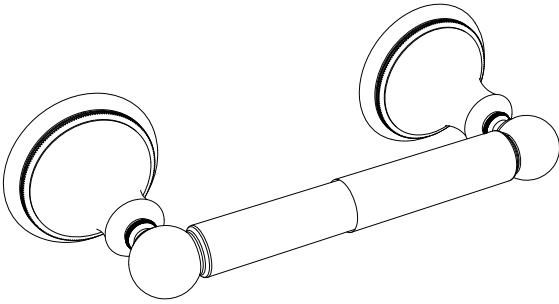




Laurel Ave. Collection

General Specifications



Tissue Holder

- #4583 (Polished Nickel)
- #4593 (Satin Nickel)

