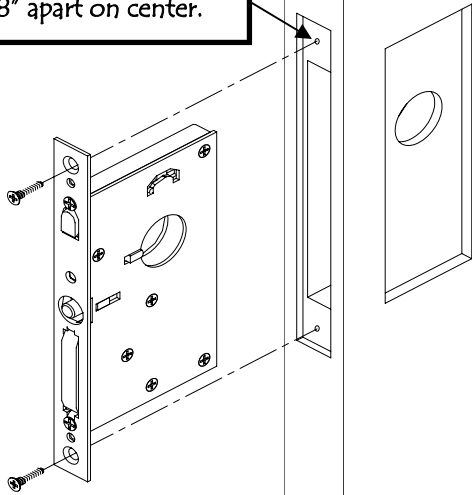


See included template for door prep specifications

Drill two 1/8" pilot holes
7-1/8" apart on center.



Install lock body into door.

Place Thumb-Turn Medallion into lock body.

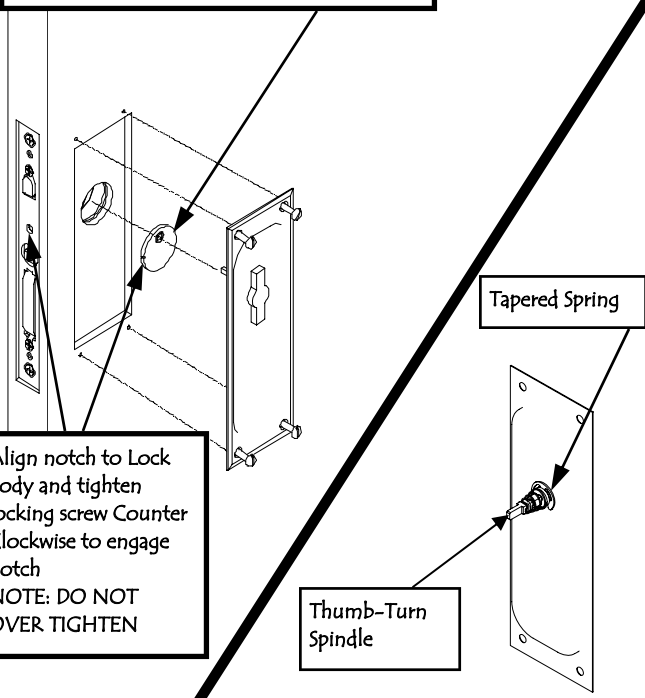
Align notch to Lock
Body and tighten
locking screw Counter
Clockwise to engage
notch
NOTE: DO NOT
OVER TIGHTEN

Inside Trim

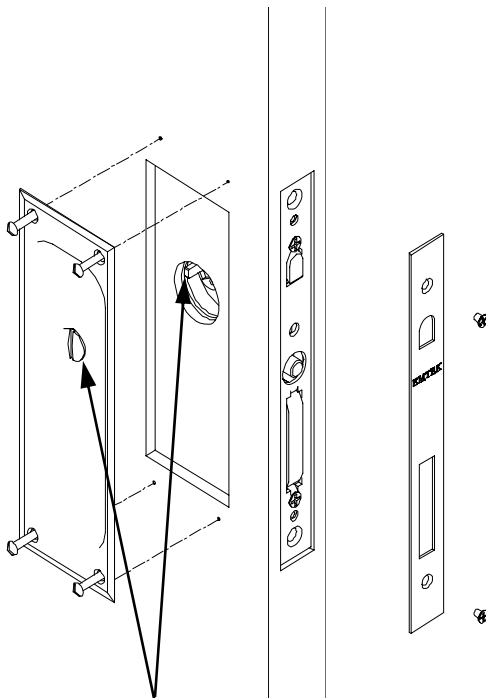
Tapered Spring

Thumb-Turn
Spindle

Opposite side of Trim

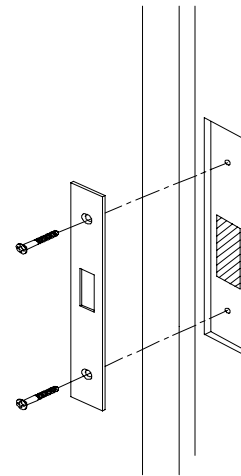


Outside Trim



Align Passage/ Privacy Button with Thumb-Turn
Spindle and secure trim plates to door.

Door Jamb Prep.



Drill two 1/8" pilot holes for wood screws provided).