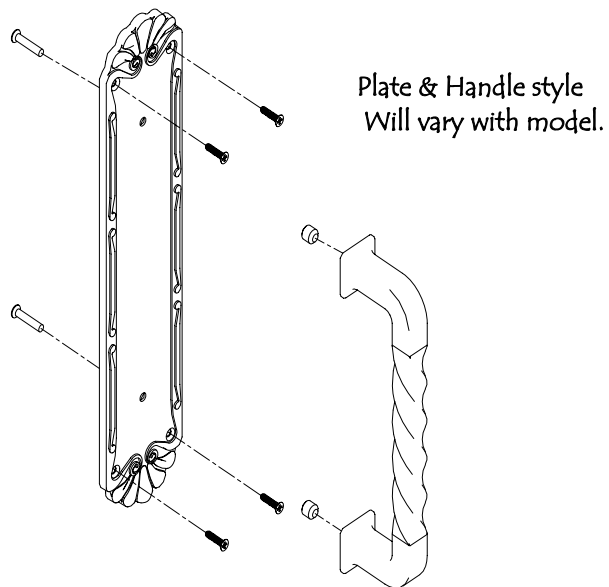


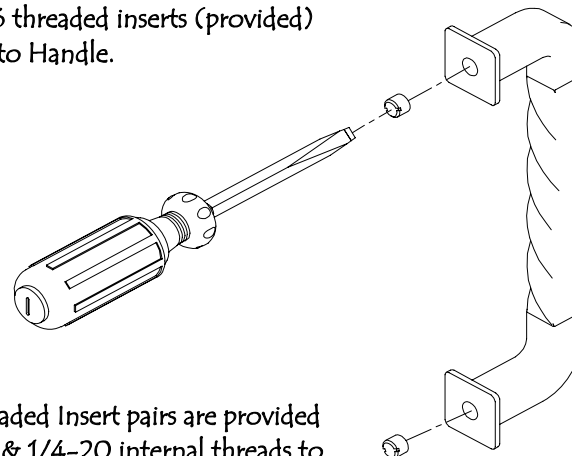
Installation Instructions—8" Brass & Tuscany Door Pulls and Plates.

Exploded View



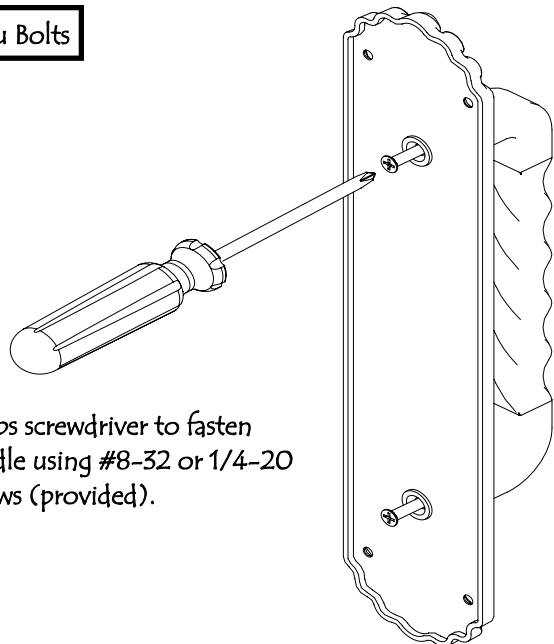
Install Insert Screws

Use flat head screwdriver to install  
3/8-16 threaded inserts (provided)  
Flush to Handle.



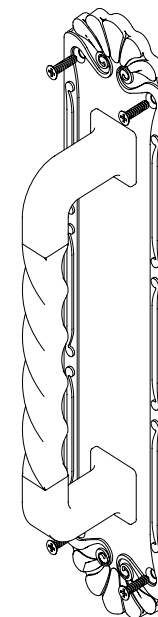
Note: Threaded Insert pairs are provided  
With 8-32 & 1/4-20 internal threads to  
Be used with corresponding screw size.

Install Thru Bolts



Use #2 Phillips screwdriver to fasten  
Plate to Handle using #8-32 or 1/4-20  
machine screws (provided).

Tighten Screws



Position Door Pull on door and  
Secure with wood screws (provided).