

CRYSTORAMA

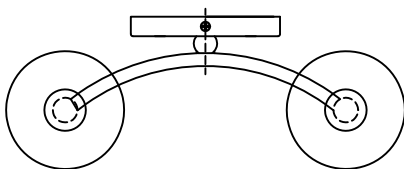
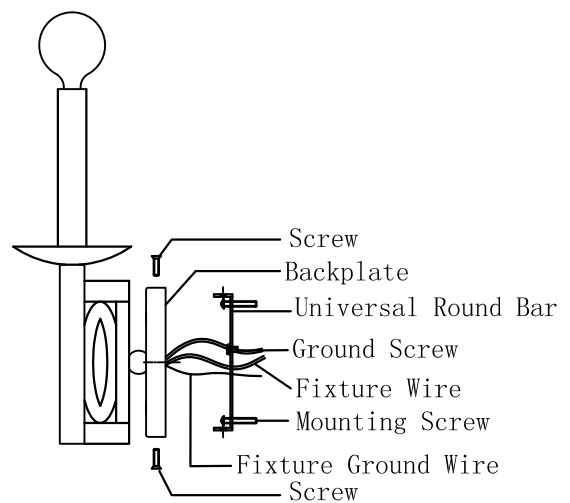
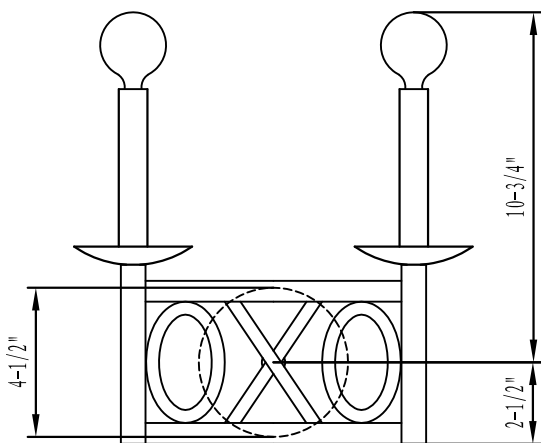
1958

95 Cantiague Rock Road, Westbury NY 11590
ph: 516.931.9090 fax: 516.931.1254
info@crystorama.com www.crystorama.com

ASSEMBLY INSTRUCTIONS FOR 9242

IMPORTANT
TURN OFF THE POWER AT THE MAIN FUSE
OR CIRCUIT BREAKER BOX
BEFORE STARTING INSTALLATION

Bulb
(Not included)



2-E12 MAX 60W/C TYPE G 16-1/2

2011-6-24

