

# CRYST RAMA

1958

95 Cantiague Rock Road, Westbury NY 11590  
 ph:516.931.9090 fax:516.931.1254  
 info@crystorama.com • www.crystorama.com

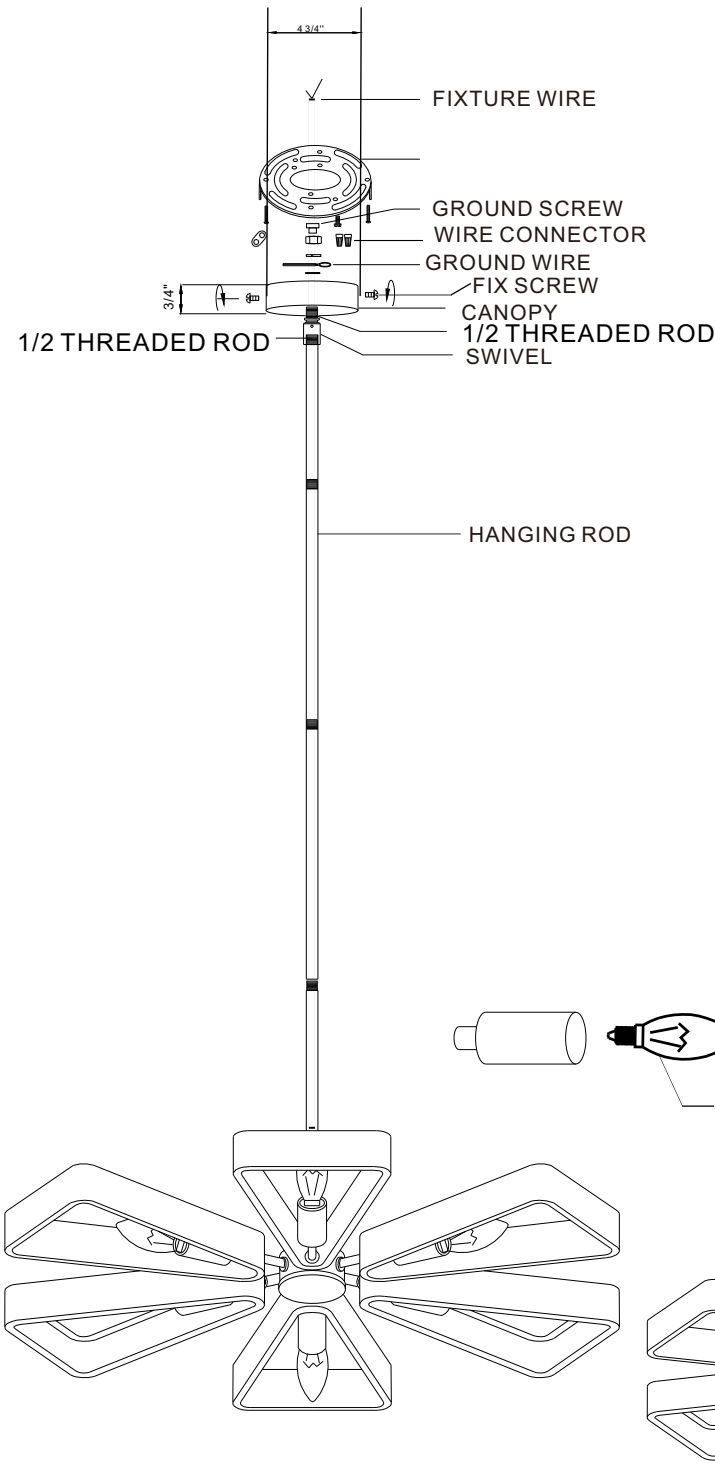
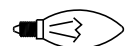
## MODEL#:596-EB-GA ASSEMBLY AND DRESSING INSTRUCTIONS

**WARNING:**

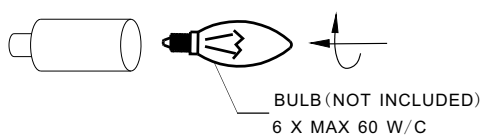
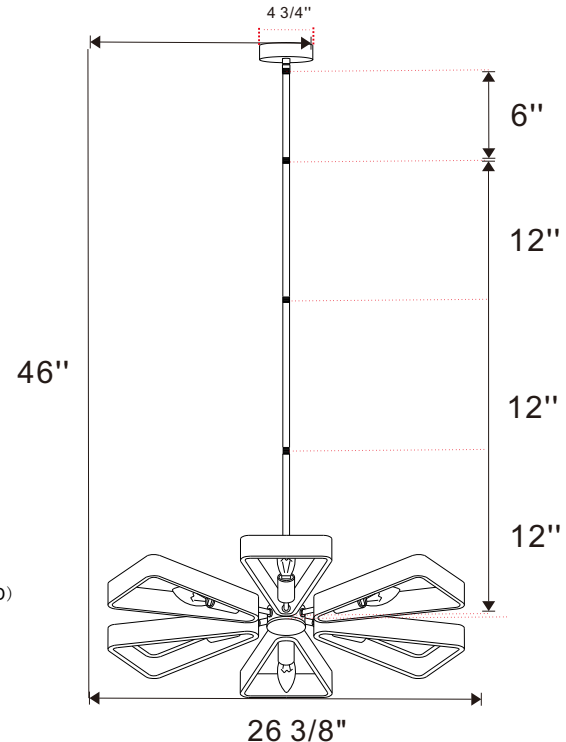


**Electrical Danger      Turn Power off**

All electrical components must be installed by a licensed electrician in accordance with the National Electric Code and the appropriate local electrical codes.

You will need 6- Cand, Bulb  
 40 Watts Recommended  
 60 Watts Max  
 Bulb not included.



ps:the swivel needs to be removed for a wall mount or ceiling application.

2015/01