

# CRYST RAMA

1958

95 Cantiague Rock Road, Westbury NY 11590  
 ph:516.931.9090 fax:516.931.1254  
 info@crystorama.com • www.crystorama.com

**MODEL#: 594-EB-GA**  
**ASSEMBLY AND DRESSING INSTRUCTIONS**

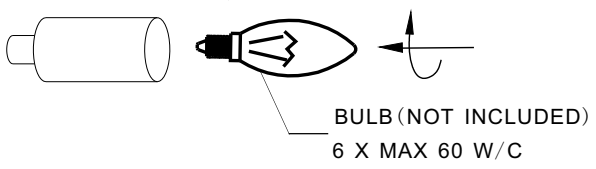
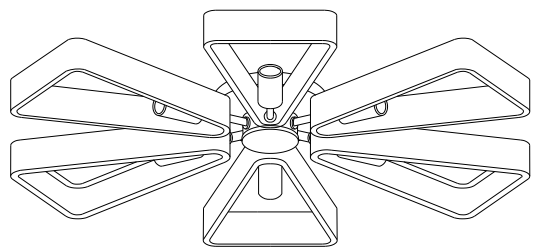
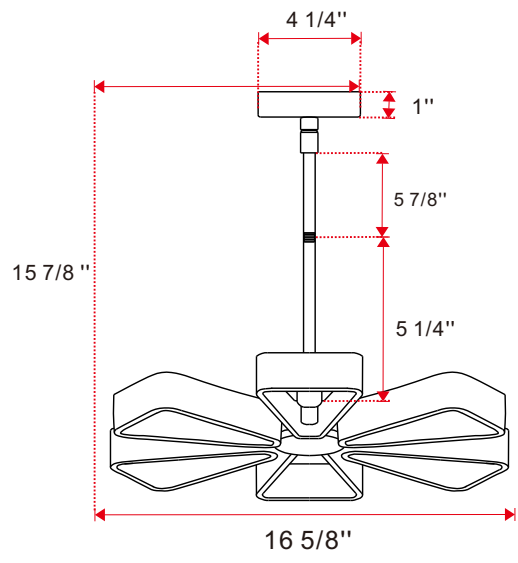
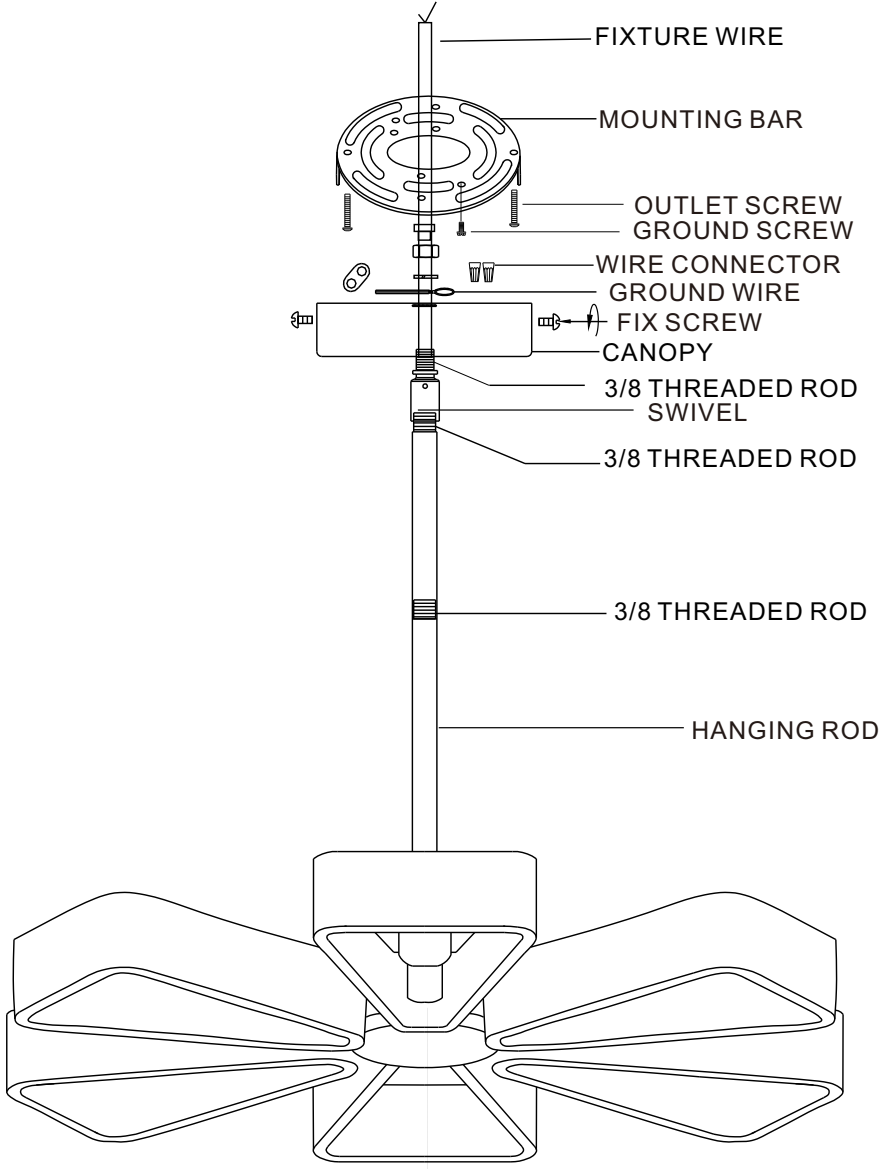
**WARNING:**

Electrical Danger      Turn Power off

All electrical components must be installed by a licensed electrician in accordance with the National Electric Code and the appropriate local electrical codes.



You will need 6- Cand. Bulb  
 40 Watts Recommended  
 60 Watts Max  
 Bulb not included.



ps:the swivel needs to be removed for a wall mount or ceiling application.