

CRYST RAMA



1958

95 Cantiague Rock Road, Westbury NY 11590

ph:516.931.9090 fax: 516. 931.1254

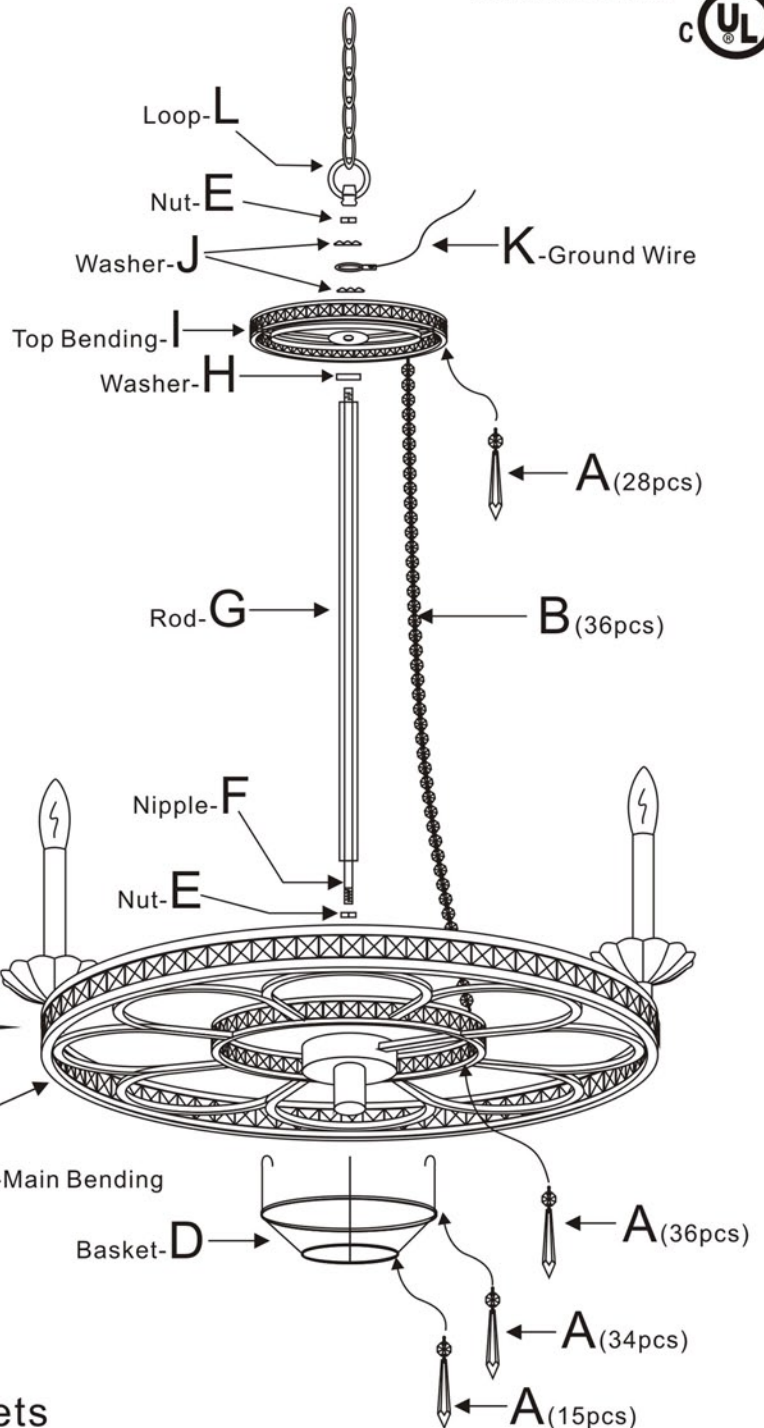
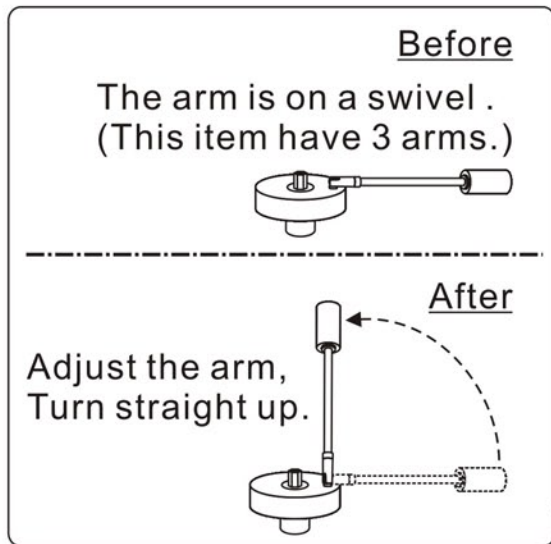
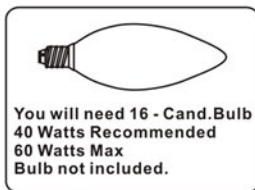
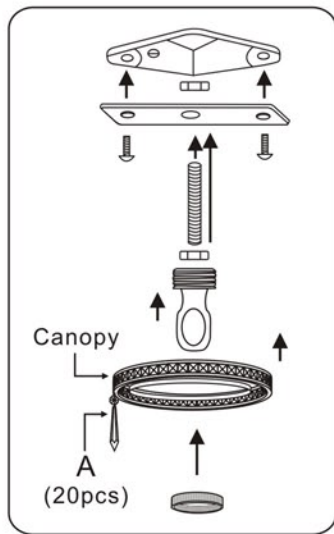
info@crystorama.com www.crystorama.com

MODEL#:5269

ASSEMBLY AND DRESSING INSTRUCTIONS



All electrical components must be installed by a licensed electrician in accordance with the National Electric Code and the appropriate local electrical codes.



ASSEMBLY STEPS:

1) E.F.G.H. → C
I.J.K.L

2) D → C

3) A.B → C

A = (14mm+80mm) * 133sets

B = (14mm * 41pcs) * 36sets