

CRYST RAMA



1958

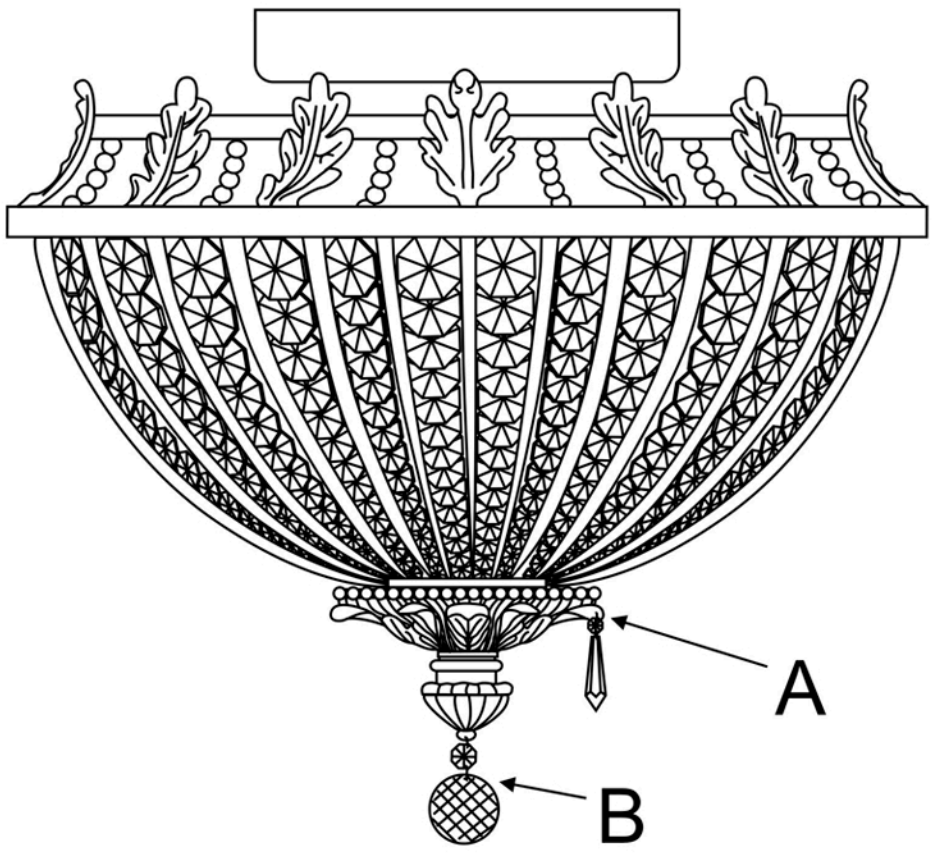
95 Cantiague Rock Road, Westbury NY 11590
 ph:516.931.9090 fax: 516. 931.1254
 info@crystorama.com www.crystorama.com

MODEL#:5163 ASSEMBLY AND DRESSING INSTRUCTIONS

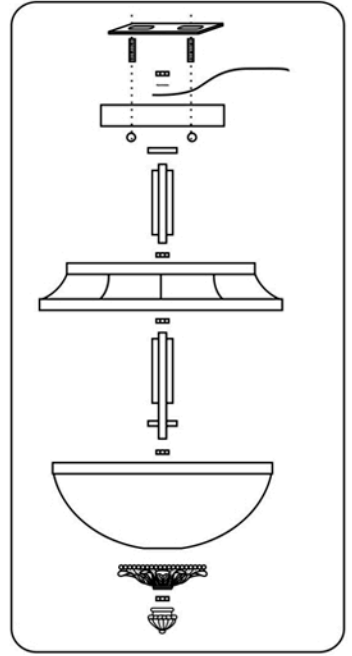
WARNING:


Electrical Danger Turn Power Off


All electrical components must be installed by a licensed electrician in accordance with the National Electric Code and the appropriate local electrical codes.



You will need 3 - Cand.Bulb
 40 Watts Recommended
 60 Watts Max
 Bulb not included.



A=  (14mm+38mm)*12sets

B=  (14mm+30mm)*1set