

CRYST RAMA



1958

95 Cantiague Rock Road, Westbury NY 11590

ph:516.931.9090 fax: 516. 931.1254

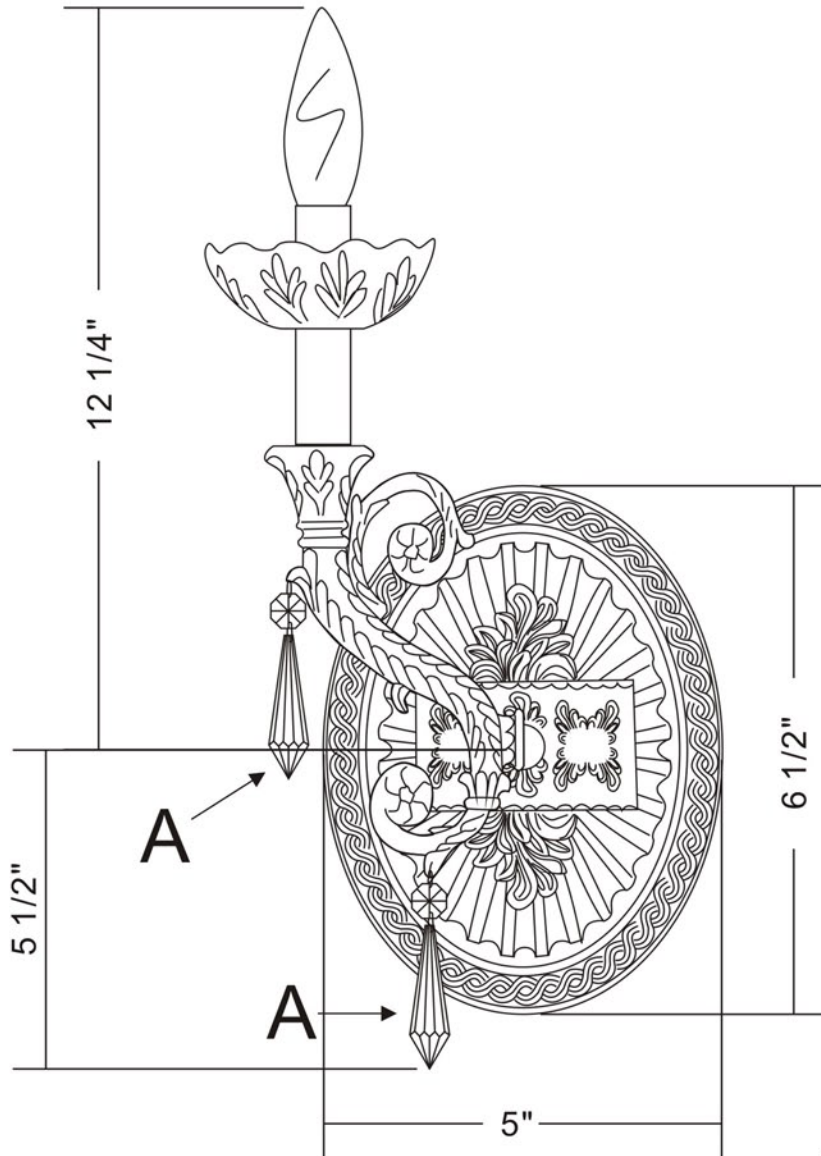
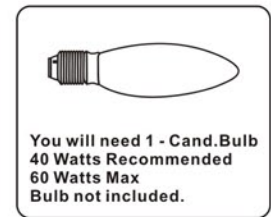
info@crystorama.com www.crystorama.com

MODEL#:5151

ASSEMBLY AND DRESSING INSTRUCTIONS

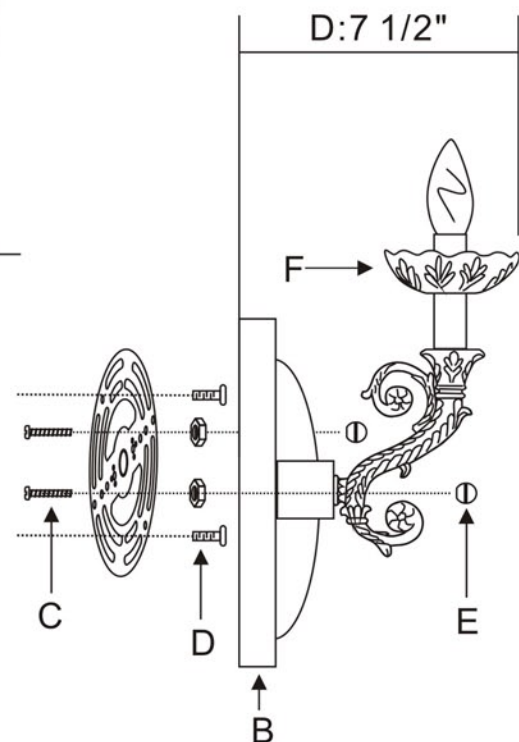



All electrical components must be installed by a licensed electrician in accordance with the National Electric Code and the appropriate local electrical codes.



ASSEMBLY STEPS:

- 1) D → C
- 2) C.E → B
- 3) A.F → B



A =  (14mm+60mm)*2sets