

CRYST RAMA

1958

95 Cantiague Rock Road, Westbury NY 11590

ph:516.931.9090 fax: 516. 931.1254

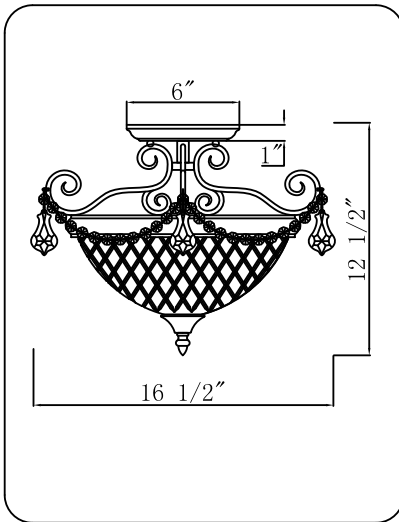
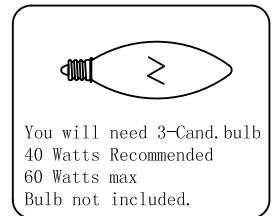
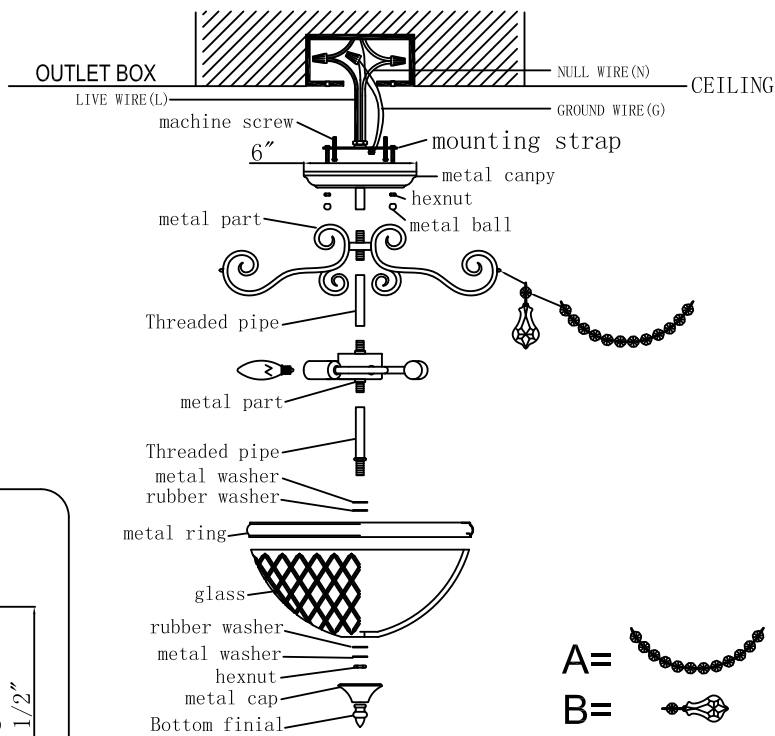
info@crystorama.com www.crystorama.com

MODEL#: 269-CH-CL

ASSEMBLY AND DRESSING INSTRUCTIONS



All electrical components must be installed by a licensed electrician in accordance with the National Electric Code and the appropriate local electrical codes.



- A= (14mmX12pcs)X6sets
- B= (14mmX1pcs+63mmX1pcs)X6sets