

CRYST RAMA



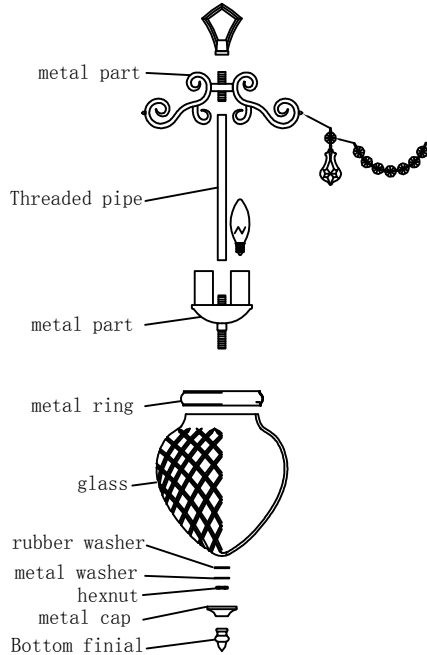
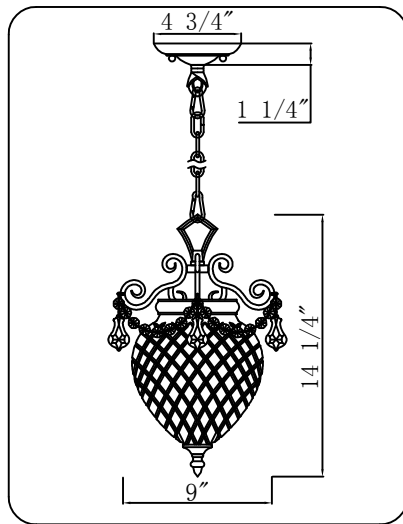
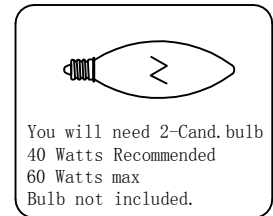
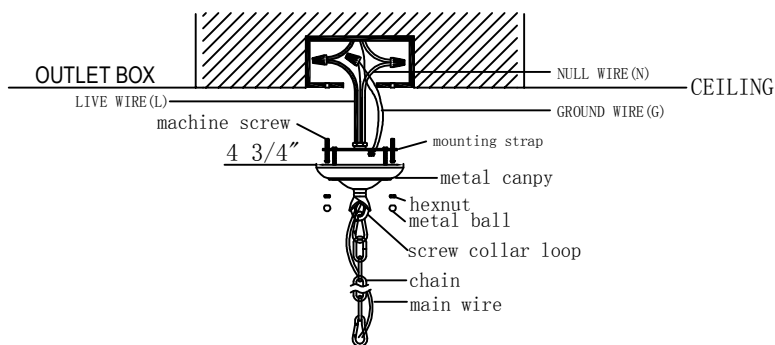
1958



95 Cantiague Rock Road, Westbury NY 11590
 ph:516.931.9090 fax: 516. 931.1254
 info@crystorama.com www.crystorama.com

MODEL#: 265-CH-CL ASSEMBLY AND DRESSING INSTRUCTIONS



All electrical components must be installed by a licensed electrician in accordance with the National Electric Code and the appropriate local electrical codes.



- A=  (14mmX7pcs)X6sets
- B=  (14mmX1pcs+50mmX1pcs)X6sets

For Ceiling

