

# CRYSTORAMA

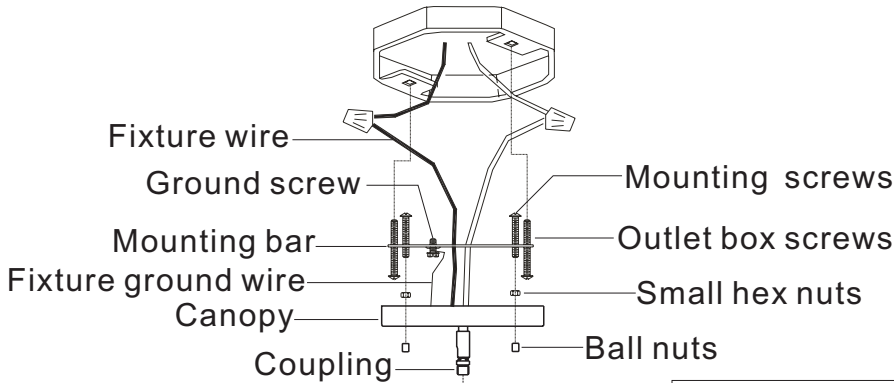
1958


95 Cantiague Rock Road, Westbury NY 11590  
 ph:516.931.9090 fax:516.931.1254  
 info@crystorama.com www.crystorama.com

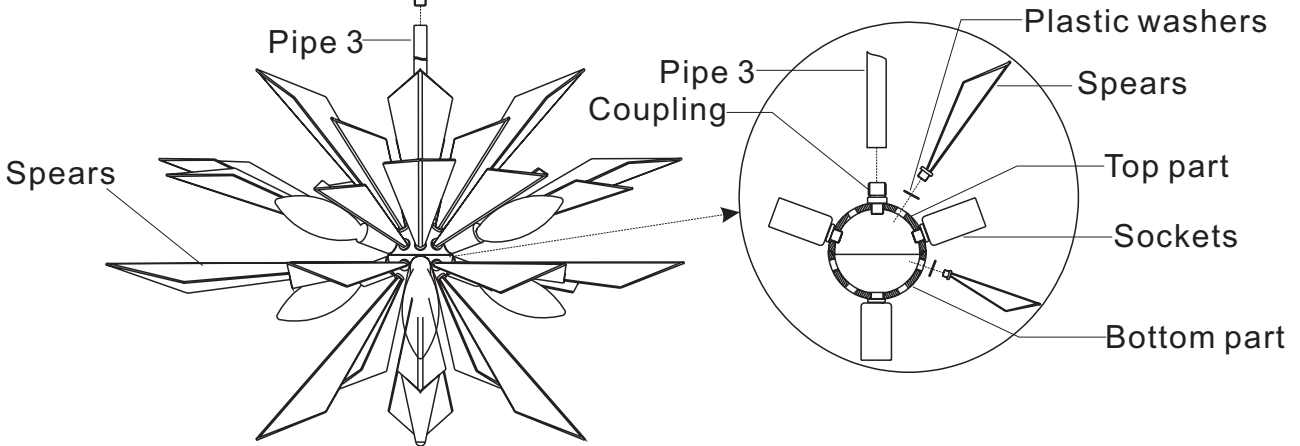
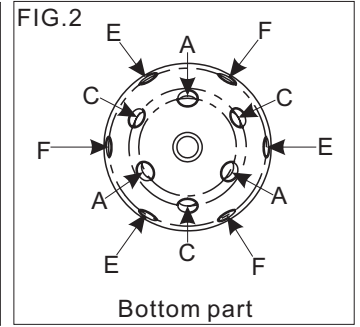
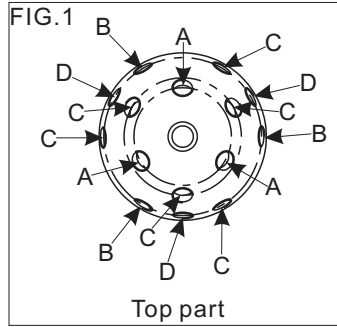
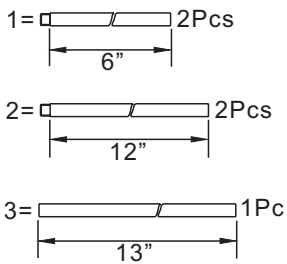
## MODEL#: 1529-MC ASSEMBLY AND DRESSING INSTRUCTIONS

### IMPORTANT

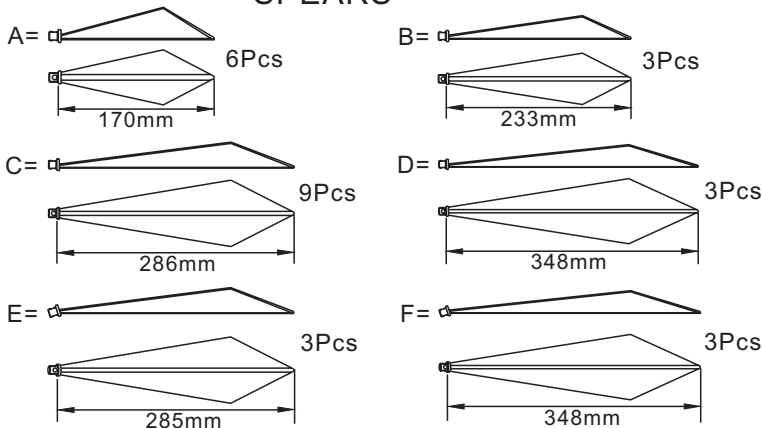
TURN OFF THE POWER AT THE MAIN FUSE OR CIRCUIT BREAKER BOX BEFORE STARTING INSTALLATION



  
 You will need 7-Cand.BULB  
 40 watts Recommended  
 60 watts Max  
 Bulb not included



### SPEARS



**INSTALL SPEARS**  
 Install the top part according to the fig.1.  
 Install the bottom part according to the fig.2.