

# CRYSTORAMA

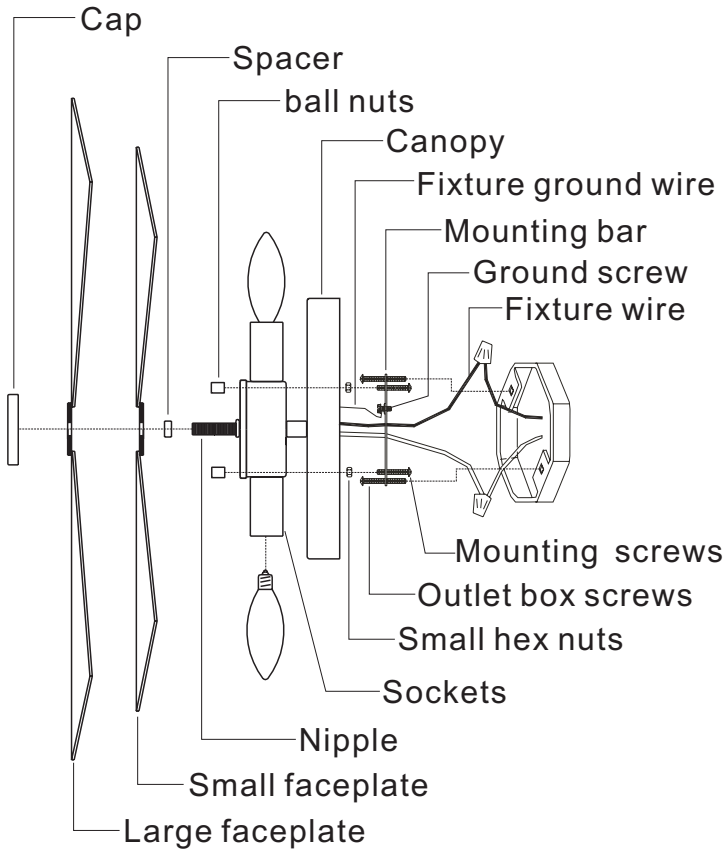

1958

95 Cantiague Rock Road, Westbury NY 11590  
 ph:516.931.9090 fax:516.931.1254  
 info@crystorama.com www.crystorama.com

## MODEL#: 1520-MC ASSEMBLY AND DRESSING INSTRUCTIONS

### IMPORTANT

TURN OFF THE POWER AT THE MAIN FUSE OR CIRCUIT BREAKER BOX BEFORE STARTING INSTALLATION

You will need 4-Cand. BULB  
 40 watts Recommended  
 60 watts Max  
 Bulb not included

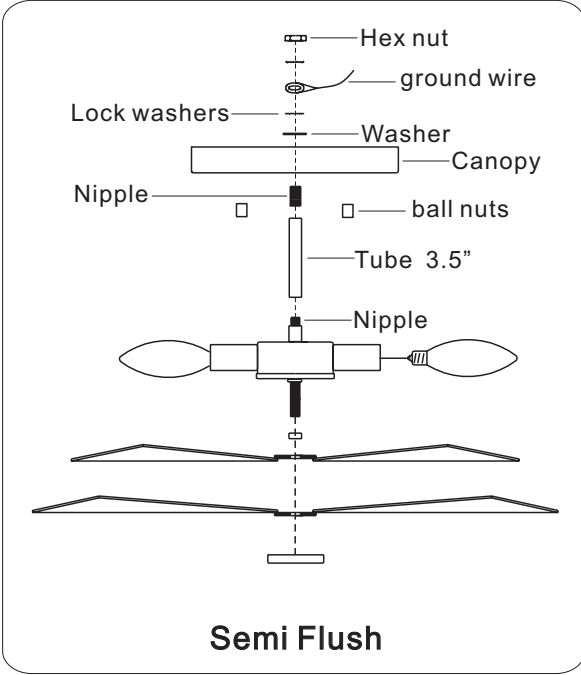
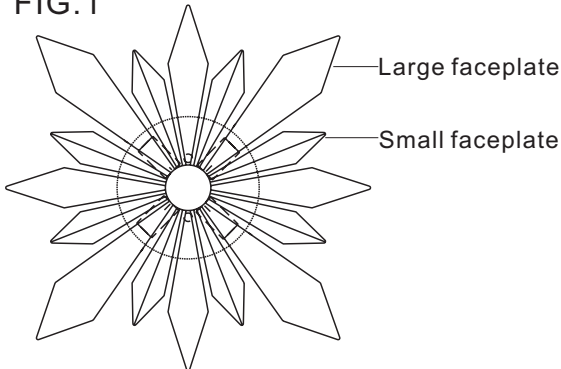
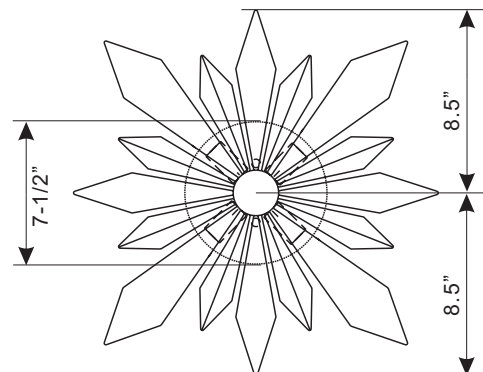


FIG. 1



Place the large faceplate on top of the small faceplate, adjust the large faceplate so that the spears on the small faceplate are in between the spears of the large faceplate. (fig. 1)



**Wall Lamp**