

# CRYST RAMA



1958

95 Cantiague Rock Road, Westbury NY 11590

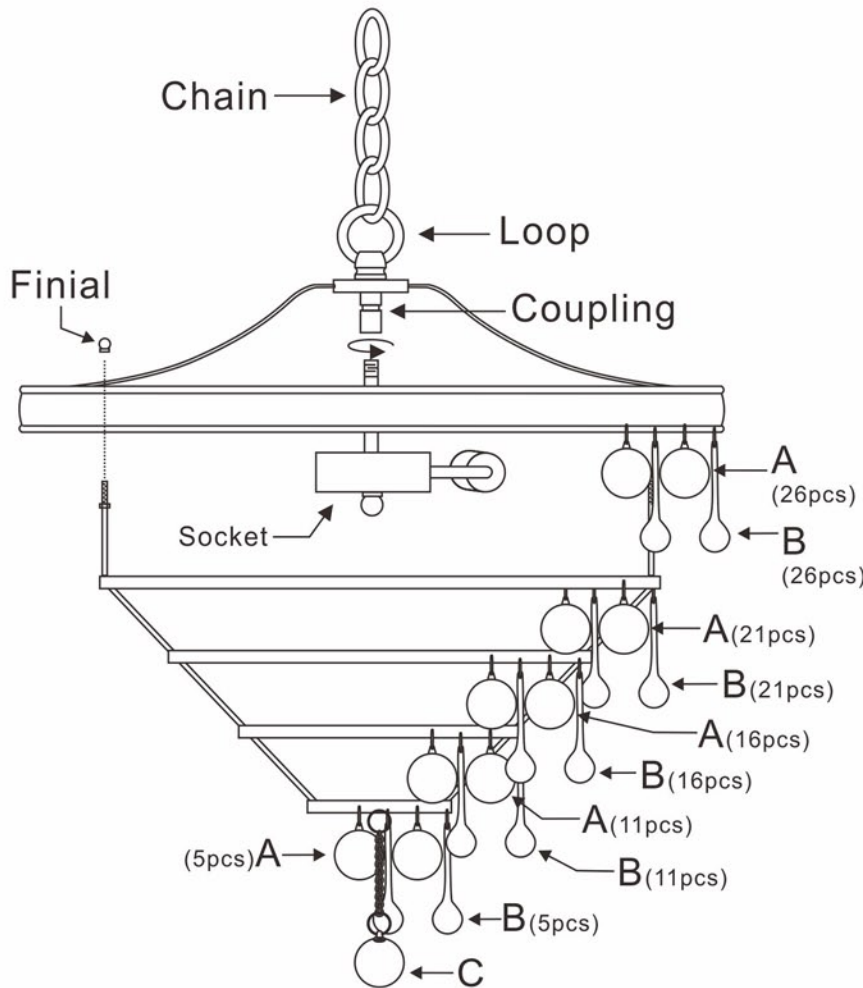
ph:516.931.9090 fax: 516. 931.1254

info@crystorama.com www.crystorama.com

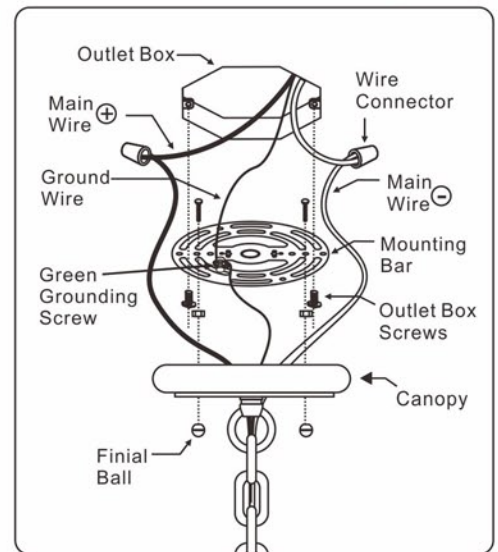
## MODEL#:130 ASSEMBLY AND DRESSING INSTRUCTIONS



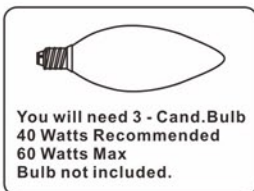
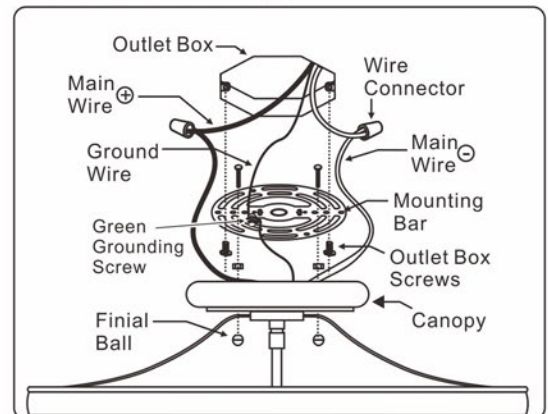
All electrical components must be installed by a licensed electrician in accordance with the National Electric Code and the appropriate local electrical codes.



### For Hanging



### For Ceiling



- A= 30mm \* 79sets (Spare Parts: 2sets)
- B= 76mm \* 79sets (Spare Parts: 4sets)
- C= (30mm Ball with chain) \* 1set