

CRYST RAMA



1958

95 Cantiague Rock Road, Westbury NY 11590

ph: 516.931.9090 fax: 516.931.1254

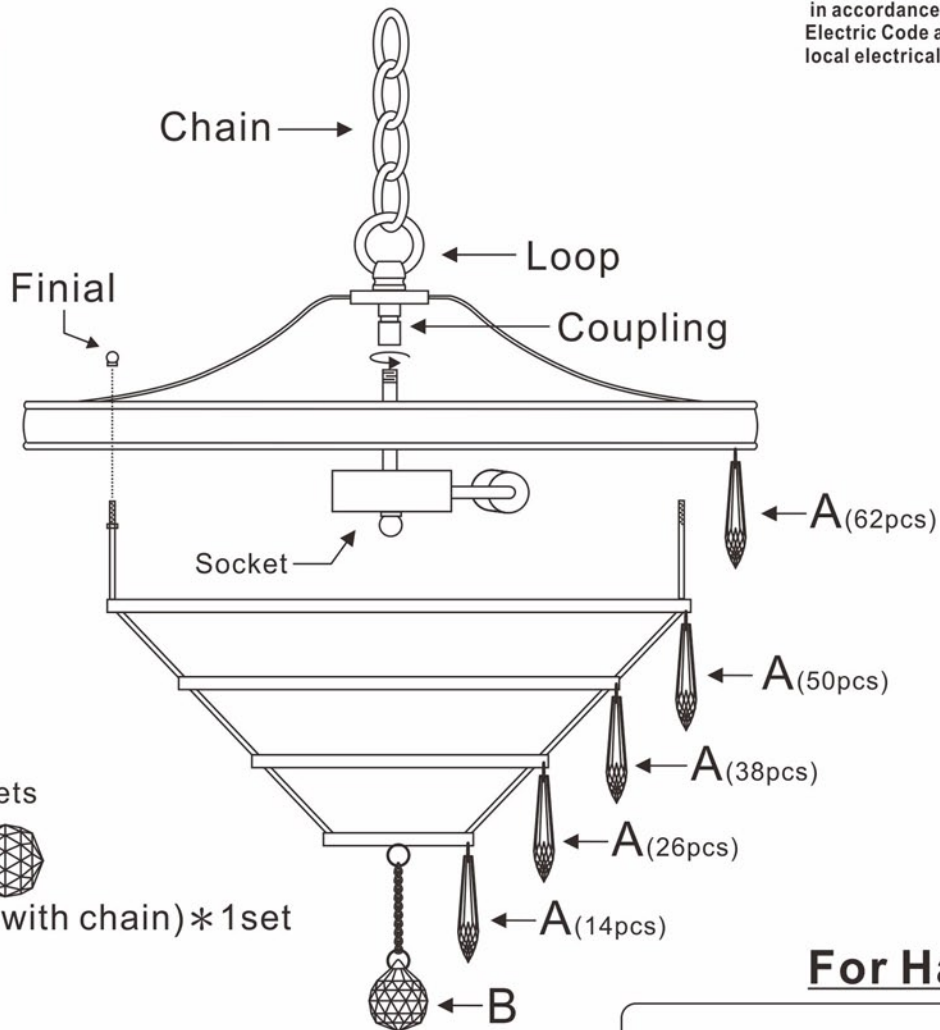
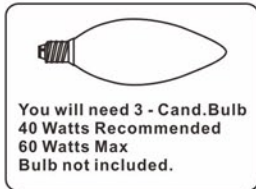
info@crystorama.com www.crystorama.com

MODEL#: 120

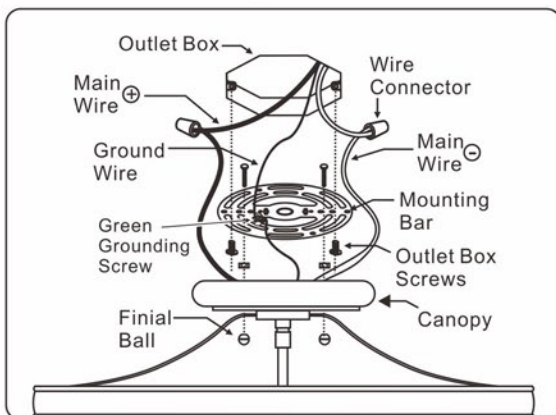
ASSEMBLY AND DRESSING INSTRUCTIONS



All electrical components must be installed by a licensed electrician in accordance with the National Electric Code and the appropriate local electrical codes.



For Ceiling



For Hanging

