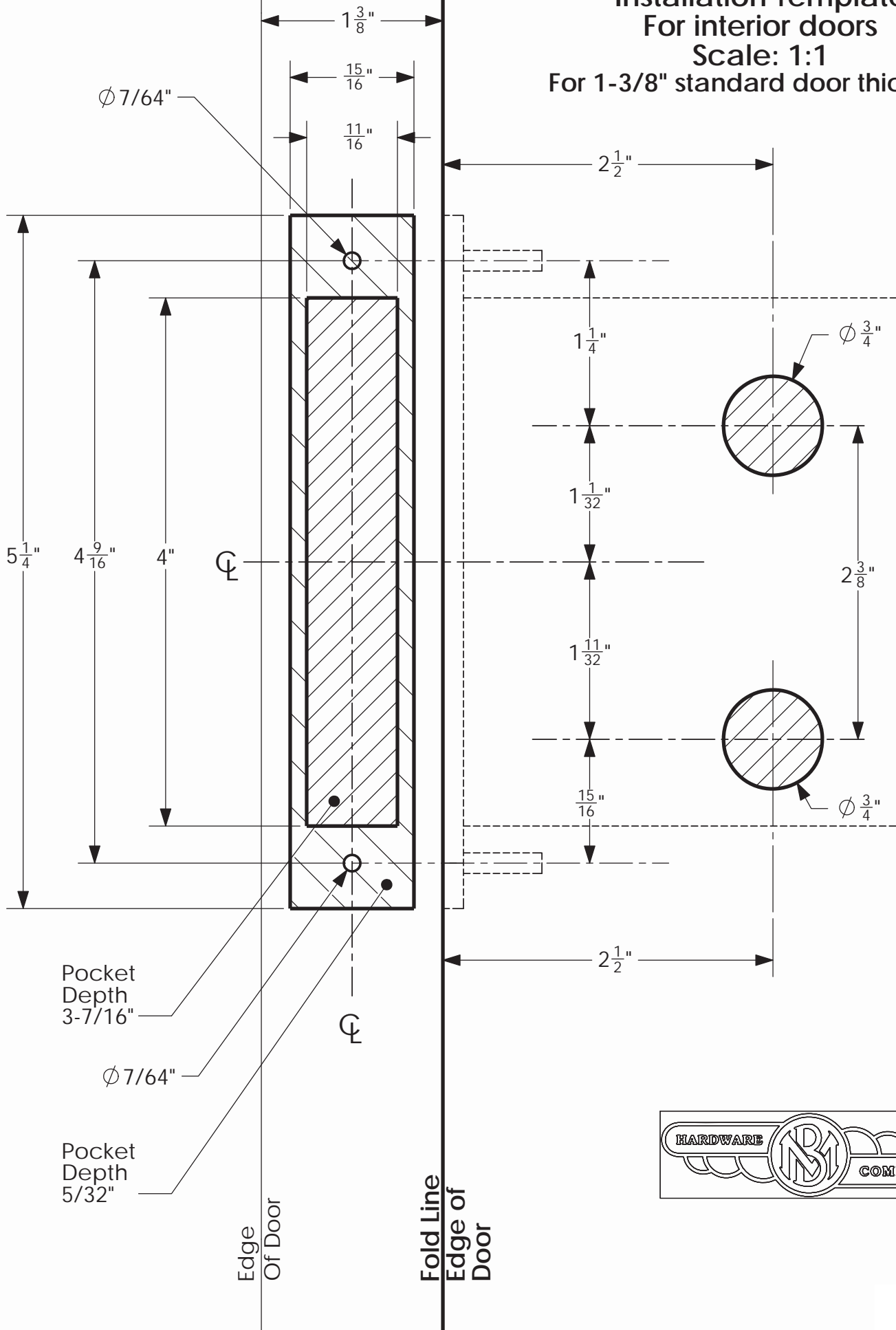
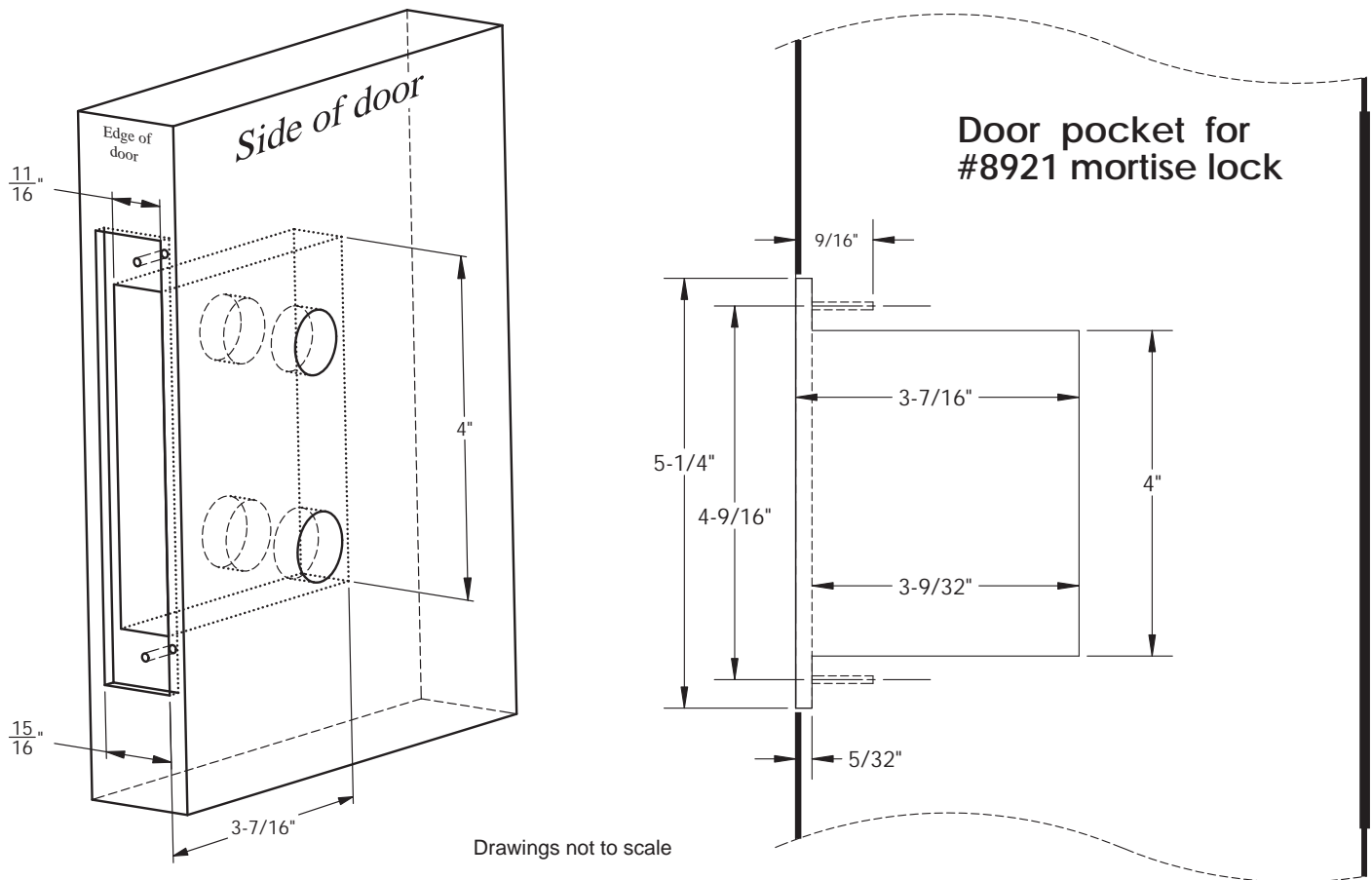


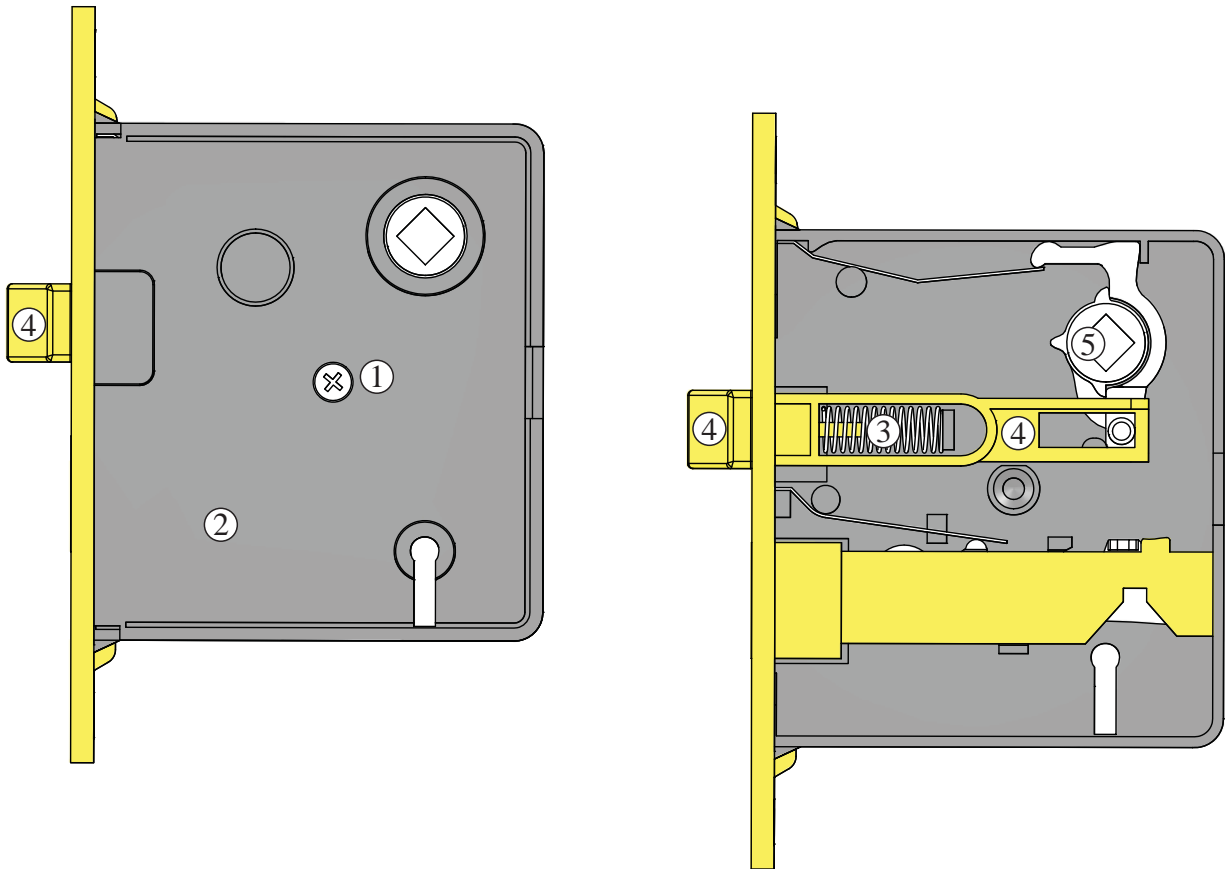
**8921 Mortise Lock
Installation Template
For interior doors
Scale: 1:1
For 1-3/8" standard door thickness**





INSTRUCTIONS FOR INSTALLING A MORTISE LOCK IN A ROOM DOOR

1. You received a high quality, faithful reproduction of an old-style mortise lock operated with a bit key. It has a backset of 2-1/2" and is meant to replace old locks with backsets from 2-3/8" to 2-5/8".
2. General: observe safety measures and use protective gear when doing woodworking projects. We recommend having a professional locksmith or woodworker install this lock.
3. If the lock replaces an old lock, use the existing pocket. For a new door with no pocket, select the location of the lock in the door. The height of the doorknob can be from 34" to 48" above finished floor - with the typical height being 36" - 38" AFF (or make it the same height as existing doorknobs in the house).
4. To make a pocket for the lock in the door stile's edge, mark the height of the doorknob and the horizontal centerline of the lock on the edge of the door. Trace an 11/16" X 4" rectangular area for the lock's case pocket and a 15/16" X 5-1/4" rectangular area for the lock's face plate pocket - both centered on the horizontal and vertical centerlines. In the 11/16" X 4" area make a pocket 3-7/16" deep, and in the 15/16" X 5-1/4" area make a pocket 5/32" deep.
5. Insert the lock in the pocket to make sure it fits well. Mark the locations of the screw holes in the door. They should be 4-9/16" center to center. Drill pilot holes with 9/16" total depth (from edge of door) or 13/32" depth from the shallow routed area in which the face plate sits. Do not install the lock yet.
6. Drill 2 holes with a 3/4" diameter (using the template to mark their centers) through the sides of the door to reveal the doorknob hub and the key hole on both sides of the door. The centers of the holes are 2-1/2" from the door's edge. The center of the top hole is 1-1/32" above the lock's horizontal centerline, and the center of the lower hole is 1-11/32" below the lock's horizontal centerline (for a 2-3/8" center to center distance). To get clean edges of the holes, drill from both sides of the door rather than straight through from one side only.
7. Install the lock, the trim and the doorknobs.
8. To install the strike plate, mark where the lock's latch and bolt hit the door jamb. Make small rectangular pockets, 1/2" deep, in the jamb to accommodate them. Lay the strike plate over the pockets, trace its contour on the jamb, and rout or chisel a 1/16" deep pocket for it. Mark the locations of the screw-holes, drill pilot holes, and install the strike plate.



Instructions for changing the handing of the mortise lock:

- A. Changing the handing of the lock is simple and straightforward.
 Note: there are several small parts inside the lock, including several springs. It is easy to lose them. Keep them safe.
- B. Undo the screw (1) and remove the lid (2).
- C. Gently remove the compression spring (3).
- D. Lift the latch (4) at one end, and slide it out through its square hole.
- E. Turn the latch (4) 180° and insert it back in its place. Now the beveled end faces the other way.
- F. Put the compression spring (3) back in its place.
- G. Lay the lid (2) in its place and secure the screw (1) to hold it in place.
 (Note: with the lid removed, the hub (5) may come out of its slot. Take care to position it properly in its place when laying the lid over it.)