

INS25

INSTRUCTIONS

Please note that only latch sets with style numbers AT9, AT8, AT7, RTH and RUE have all the hardware for mounting the handle on either side of the door. All others can be mounted on one side of the door only. Refer to the illustrations below.

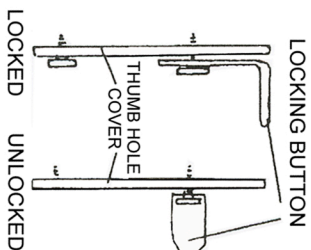
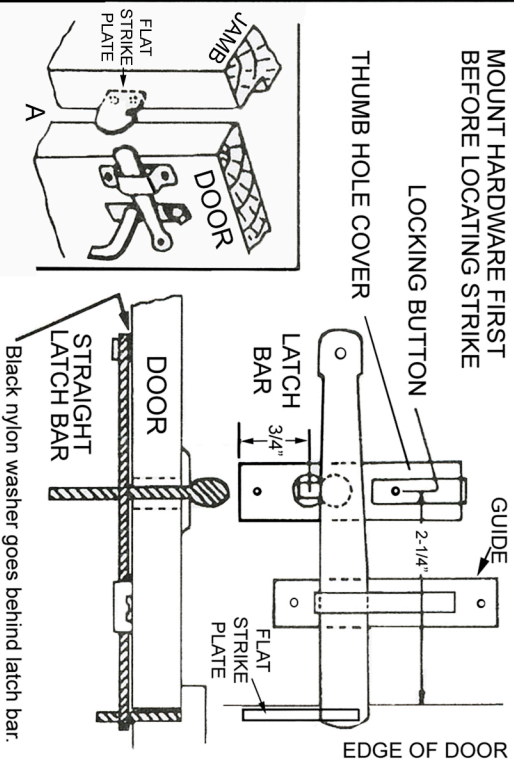
Before installing a thumb latch on a storm door, please be sure that the thumb piece that goes through the door does not hit the door knob or handle of the inside door.

The thumb piece extends 1-7/8" through a 1-1/8" thick door. If the end of the thumb piece does hit the door knob, position the two 3/8" holes so that the thumb piece will be either above or below the inside door knob. Although not recommended, you may hang the storm door so that its hinges are on the same side as the knob or handle of the inside door. This avoids any interference between the two doors, but it will be inconvenient because the two doors will be swinging opposite each other.

FOR PASSAGE DOOR - AT1 - AT2 - AT3 - RTA - RUS - ATU - ATX

FLAT STRIKE PLATE WITH STRAIGHT LATCH BAR

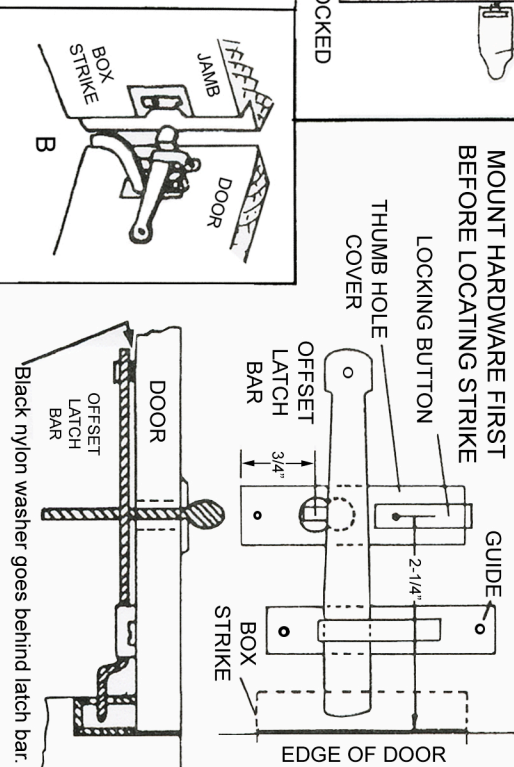
MOUNT HARDWARE FIRST BEFORE LOCATING STRIKE



FOR CLOSET OR STORM DOOR - AT4 - AT5 - AT6 - RTB - RUA

BOX STRIKE WITH OFFSET LATCH BAR

MOUNT HARDWARE FIRST BEFORE LOCATING STRIKE



Drill two 3/8" holes 37" from the floor and 2-1/4" from the edge of the door. Before mounting handle, insert thumb piece through slot in handle (all the way) until the notch on bottom side of thumb piece drops into locking position. This prevents the thumb piece from pulling out. Refer to diagrams above for mounting back latch assembly on opposite side of door.

A. For passage door with handle on hall side of door, position flat strike plate so that flat latch bar will drop freely in place in slot and fasten.

B. For closet door with handle on room side of door, position box strike so that offset latch bar will drop freely into slot in box strike. Mortise in place in door stop and fasten.